

REVISIONS			
REV.	DESCRIPTION	DATE	APPROVED
A	INITIAL RELEASE	01/14/22	J QU

MATERIAL & FINISH:

- 1 BODY: STAINLESS STEEL 316L, PASSIVATED
- 2 CENTER CONTACT: BERYLLIUM COPPER ALLOY, GOLD PLATED
- 3 LOCK WASHER: STAINLESS STEEL 316L, PASSIVATED
- 4 FASTENING NUT: STAINLESS STEEL 316L, PASSIVATED
- 5 INSULATOR: PTFE
- 6 O-RING: SILICONE RUBBER

ELECTRICAL DATA:

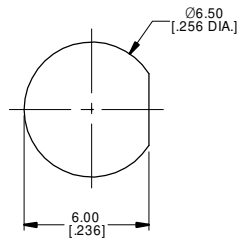
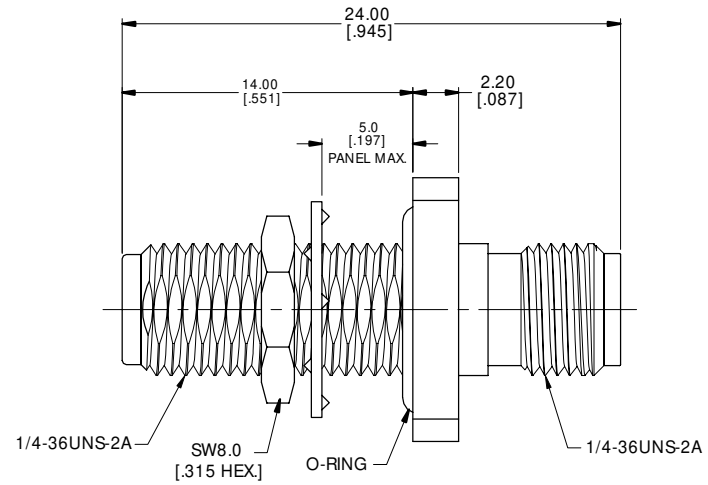
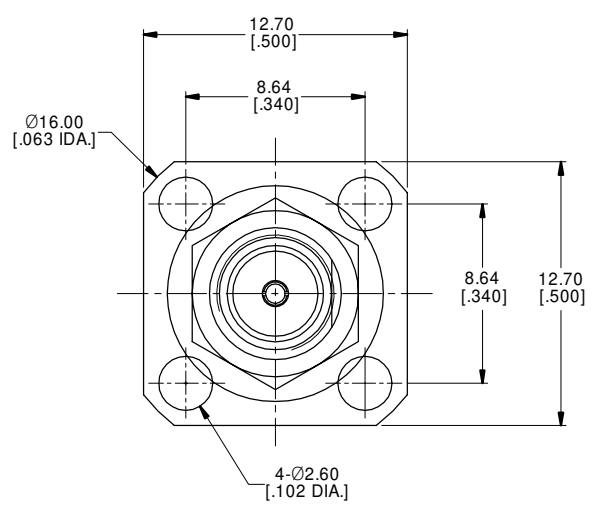
- 1 IMPEDANCE: 50 Ω
- 2 FREQUENCY RANGE: DC~18 GHz
- 3 VSWR: 1.25 MAX.
- 4 CONTACT RESISTANCE: 3 mΩ MAX.
- 5 WORKING VOLTAGE: 335 VRMS
- 6 INSULATION RESISTANCE: 5000 MΩ
- 7 DIELECTRIC WITHSTANDING VOLTAGE: 1000 VRMS

ENVIRONMENTAL DATA:

- 1 TEMPERATURE RANGE: -55°C ~ +125°C
- 2 2011/65/EU(RoHS) AND 2015/863/(RoHS): COMPLIANT
- 3 1907/2006/EC(REACH): COMPLIANT

MECHANICAL DATA:

- 1 DURABILITY: 500 CYCLES MIN.
- 2 O-RING: IP67 GRADE



RECOMMENDED MOUNTING HOLE

DRAWN	XB. YANG	DATE	01/14/22
CHECKED	W. YANG	DATE	01/14/22
APPROVED	J QU	DATE	01/14/22
UNLESS OTHERWISE SPECIFIED DIMENSIONS ARE IN MILLIMETERS, DIMENSIONS IN [] ARE IN INCHES FOR CUSTOMER REFERENCE ONLY UNLESS OTHERWISE SPECIFIED TOLERANCE ARE:		THESE DRAWINGS AND SPECIFICATIONS ARE THE PROPERTY OF ANOISON ELECTRONICS LTD AND SHOULD NOT BE USED WITHOUT WRITTEN PERMISSION COPYRIGHT © 2022 ANOISON ELECTRONICS LTD	
	XX	±0.13	[.005"]
	X	±0.20	[.008"]
	x	±0.50	[.019"]
	X°	±1°	
	x°	±2°	

ANOISON

TITLE
ADAPTER, SMA FEMALE TO SMA BULKHEAD FEMALE
4 HOLE FLANGE MOUNT, O-RING SEAL

VIEW

PART NO.
ANO 212-212-1591

SIZE	SCALE	SHEET	REV.
A3	4:1	1/1	A