

MATERIAL & FINISH:

- 1 BODY: KOVAR, GOLD PLATED
- 2 CENTER CONTACT: BERYLLIUM COPPER ALLOY, GOLD PLATED
- 3 INSULATOR: PTFE & GLASS
- 4 O-RING: SILICONE RUBBER

ENVIRONMENTAL DATA:

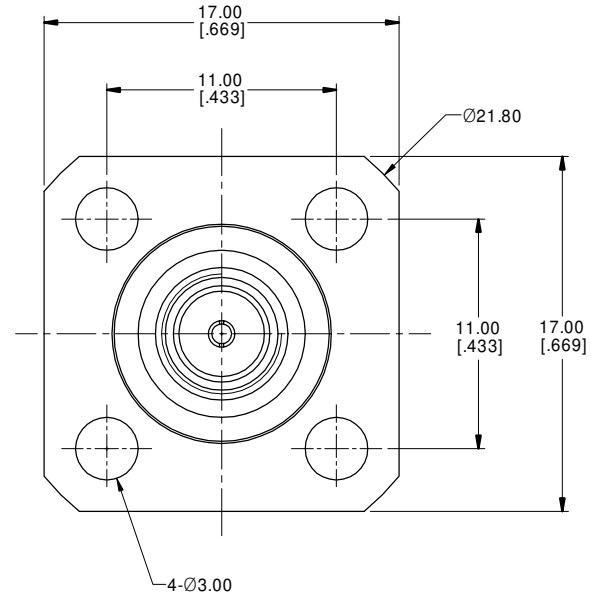
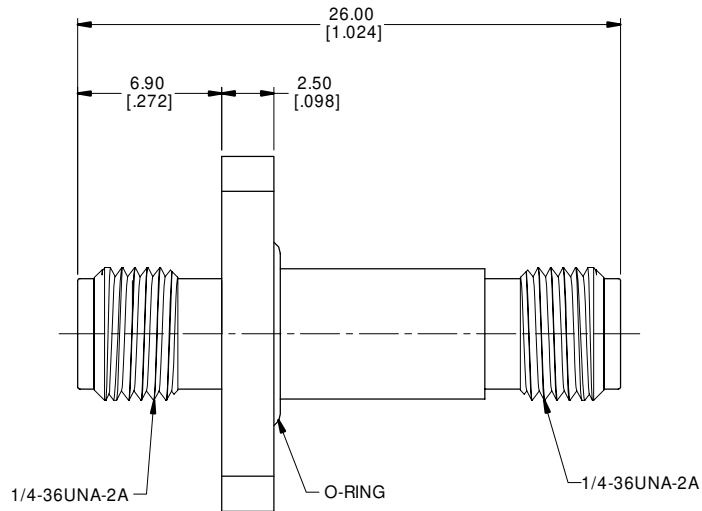
- 1 TEMPERATURE RANGE: -65 °C ~ +70 °C
- 2 2011/65/EU (RoHS) AND 2015/863/ (RoHS): COMPLIANT
- 3 1907/2006/EC (REACH): COMPLIANT

ELECTRICAL DATA:

- 1 IMPEDANCE: 50 Ω
- 2 FREQUENCY RANGE: DC~18 GHz
- 3 VSWR: 1.35 MAX.
- 4 INSERTION LOSS: 0.20 DB MAX.
- 5 HERMETIC SEAL: 10⁻⁸ ATM.CM³/S
- 6 DIELECTRIC WITHSTANDING VOLTAGE: 500 V MIN.
- 7 INSULATION RESISTANCE: 5000MΩ MIN.
- 8 DIELECTRIC WITHSTANDING VOLTAGE: 1000 V MIN.

REVISIONS

REV.	DESCRIPTION	DATE	APPROVED
A	INITIAL RELEASE	09/22/21	J QU



DRAWN	X. B. YANG	DATE	09/22/21
CHECKED	W. YANG	DATE	09/22/21
APPROVED	J QU	DATE	09/22/21

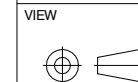
UNLESS OTHERWISE SPECIFIED DIMENSIONS ARE IN MILLIMETERS. DIMENSIONS IN [] ARE IN INCHES FOR CUSTOMER REFERENCE ONLY UNLESS OTHERWISE SPECIFIED TOLERANCE ARE:

.xx	±0.13 [.005"]
.x	±0.20 [.008"]
x	±0.50 [.019"]
.x°	±1°
x°	±2°

THESE DRAWINGS AND SPECIFICATIONS ARE THE PROPERTY OF ANOISON ELECTRONICS LTD AND SHOULD NOT BE USED WITHOUT WRITTEN PERMISSION COPYRIGHT © 2021 ANOISON ELECTRONICS LTD



TITLE
ADAPTER, SMA WATERPROOF FEMALE TO SMA FEMALE, 4 HOLE FLANGE, HERMETIC SEAL



PART NO. ANO 212-212-1571			
SIZE A3	SCALE 4:1	SHEET 1/1	REV. A