

4

3

2

1

MATERIAL & FINISH:

- 1 BODY: BRASS, GOLD PLATED
- 2 CENTER CONTACT: BERYLLIUM COPPER ALLOY, GOLD PLATED
- 3 INSULATOR: PTFE
- 4 FASTENING NUT: BRASS, GOLD PLATED
- 5 LOCK WASHER: BERYLLIUM COPPER ALLOY, GOLD PLATED

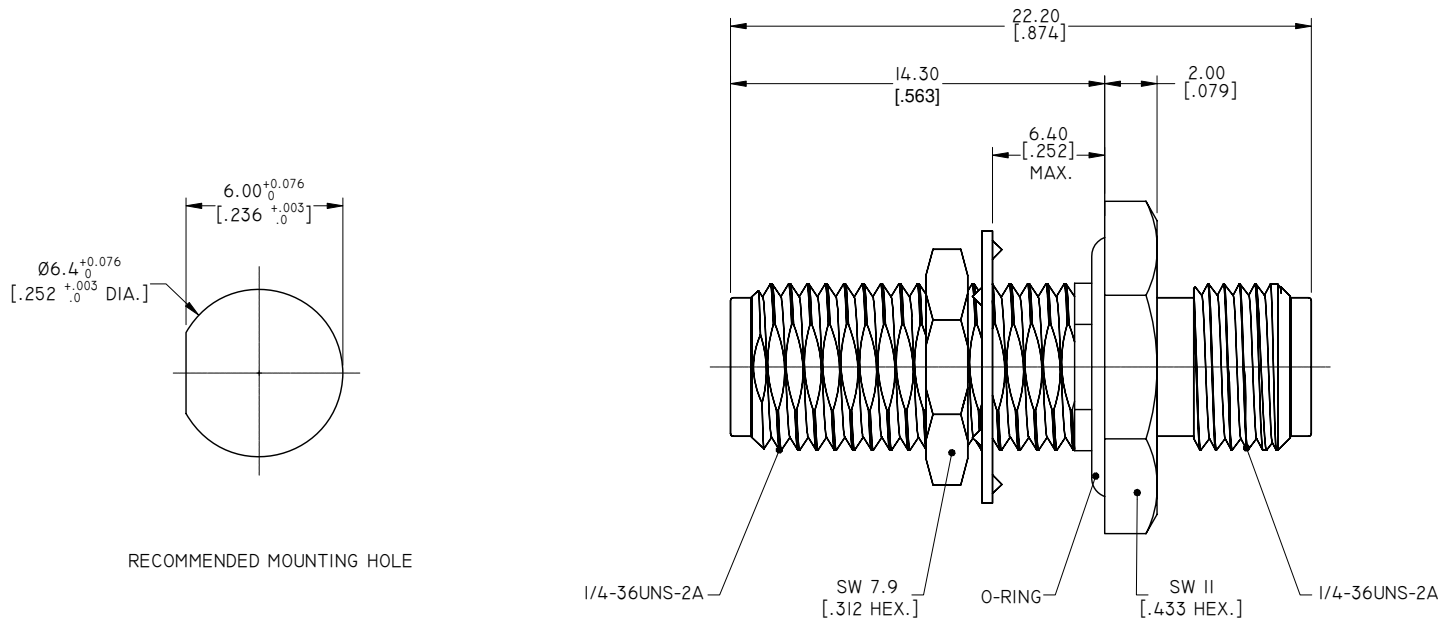
ELECTRICAL DATA:

- 1 IMPEDANCE: 50 Ω
- 2 FREQUENCY RANGE: DC~26.5 GHZ
- 3 VSWR: 1.20 MAX. @ DC~18 GHZ  
1.30 MAX. @ 18~26.5GHZ
- 4 DEGREE OF PROTECTION: IP 65

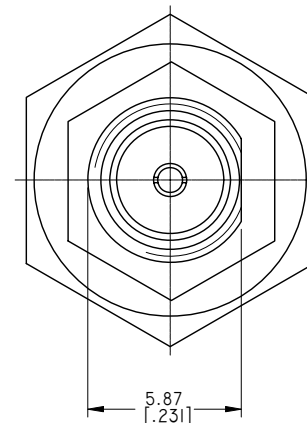
REVISIONS			
REV.	DESCRIPTION	DATE	APPROVED
A	INITIAL RELEASE	01/23/19	J. QU

ENVIRONMENTAL DATA:

- 1 TEMPERATURE RANGE: -55°C~+125°C
- 2 2011/65/EU(ROHS) AND 2015/863/(ROHS): COMPLIANT
- 3 1999/45/EC(REACH): COMPLIANT



RECOMMENDED MOUNTING HOLE



DRAWN	P. CHEN	DATE	01/23/19
CHECKED	L. YANG	DATE	01/23/19
APPROVED	J. QU	DATE	01/23/19
UNLESS OTHERWISE SPECIFIED DIMENSIONS ARE IN MILLIMETERS, DIMENSIONS IN [ ] ARE IN INCHES FOR CUSTOMER REFERENCE ONLY UNLESS OTHERWISE SPECIFIED TOLERANCE ARE:		THESE DRAWINGS AND SPECIFICATIONS ARE THE PROPERTY OF ANOISON ELECTRONICS LTD AND SHOULD NOT BE USED WITHOUT WRITTEN PERMISSION COPYRIGHT © 2019 ANOISON ELECTRONICS LTD	
.XX	±0.13 [.005"]		
.X	±0.20 [.008"]		
X	±0.50 [.019"]		
.X°	±1°		
X°	±2°		



TITLE  
ADAPTER, SMA FEMALE BULKHEAD WATERPROOF TO SMA FEMALE

VIEW	PART NO. ANO 212-212-1479		
SIZE A3	SCALE 5:1	SHEET 1/1	REV. A

4

3

2

1