

MATERIAL & FINISH:

- 1 BODY: BRASS, SEE TABLE
- 2 CENTER CONTACT: BERYLLIUM COPPER ALLOY, SEE TABLE
- 3 INSULATOR: PTFE

ENVIRONMENTAL DATA:

- 1 TEMPERATURE RANGE: -65°C~+165°C
- 2 2011/65/EU (RoHS): COMPLIANT

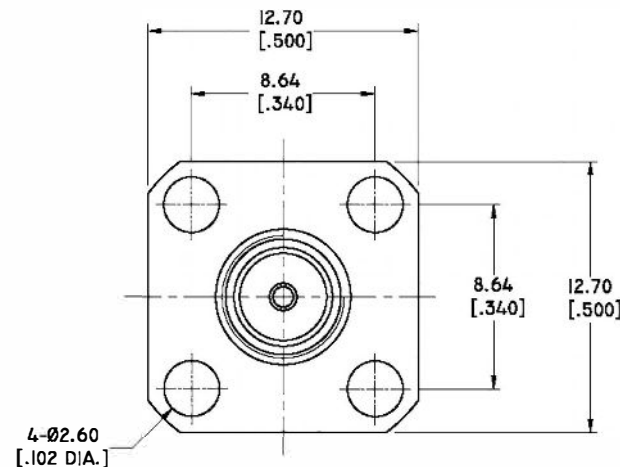
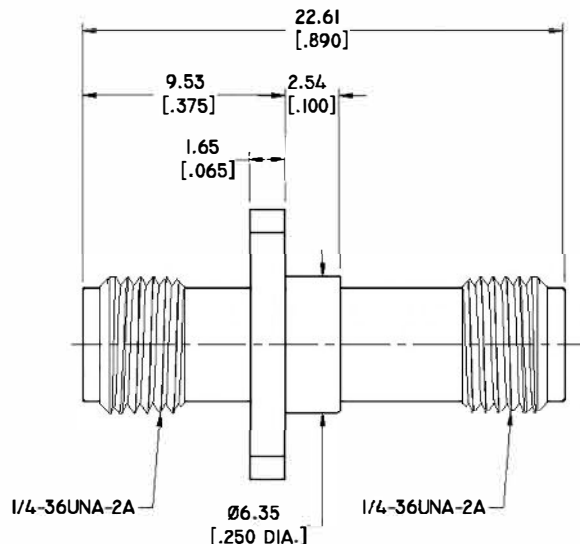
MECHANICAL DATA:

- 1 CENTER CONTACT CAPTIVATION:
AXIAL: 6.0 LBS. MIN.
RADIAL: N/A

ELECTRICAL SPECIFICATIONS:

- 1 IMPEDANCE: 50 Ω
- 2 FREQUENCY RANGE: DC-18GHZ
- 3 VSWR: 1.25 MAX.
- 4 D.W.V.: 1000 VRMS MIN. AT 5MHZ
- 5 I.R.: 5000 MEGOHMS MIN.
- 6 INTERMODULATION(3RDORDER): < -153 DBC(2X43 DBM) AT 1.8GHZ TYP.

REVISIONS			
REV.	DESCRIPTION	DATE	APPROVED
A	INITIAL RELEASE	01/26/18	J. QU
B	ADDED PART NO.	06/25/18	J. QU



PART NO.	PART	FINISH
ANO 212-212-1390	BODY	ALBALOY OVER SILVER
	CENTER CONTACT	SILVER
ANO 212-212-1390-I	BODY	GOLD
	CENTER CONTACT	GOLD

DRAWN	W. YANG	DATE	06/25/18
CHECKED	X. B. YANG	DATE	06/25/18
APPROVED	J. QU	DATE	06/25/18
UNLESS OTHERWISE SPECIFIED DIMENSIONS ARE IN MILLIMETERS, DIMENSIONS IN [] ARE IN INCHES FOR CUSTOMER REFERENCE ONLY UNLESS OTHERWISE SPECIFIED TOLERANCE ARE:		THESE DRAWINGS AND SPECIFICATIONS ARE THE PROPERTY OF ANOISON ELECTRONICS LTD AND SHOULD NOT BE USED WITHOUT WRITTEN PERMISSION COPYRIGHT © 2018 ANOISON ELECTRONICS LTD	
.XX	±0.13 [.005"]		
.X	±0.20 [.008"]		
X	±0.50 [.019"]		
.X°	±1°		
X°	±2°		



TITLE
ADAPTER, SMA FEMALE TO SMA FEMALE, 4 HOLE FLANGE

VIEW	PART NO. ANO 212-212-1390		
	SIZE A3	SCALE 4:1	SHEET 1/1
			REV. B