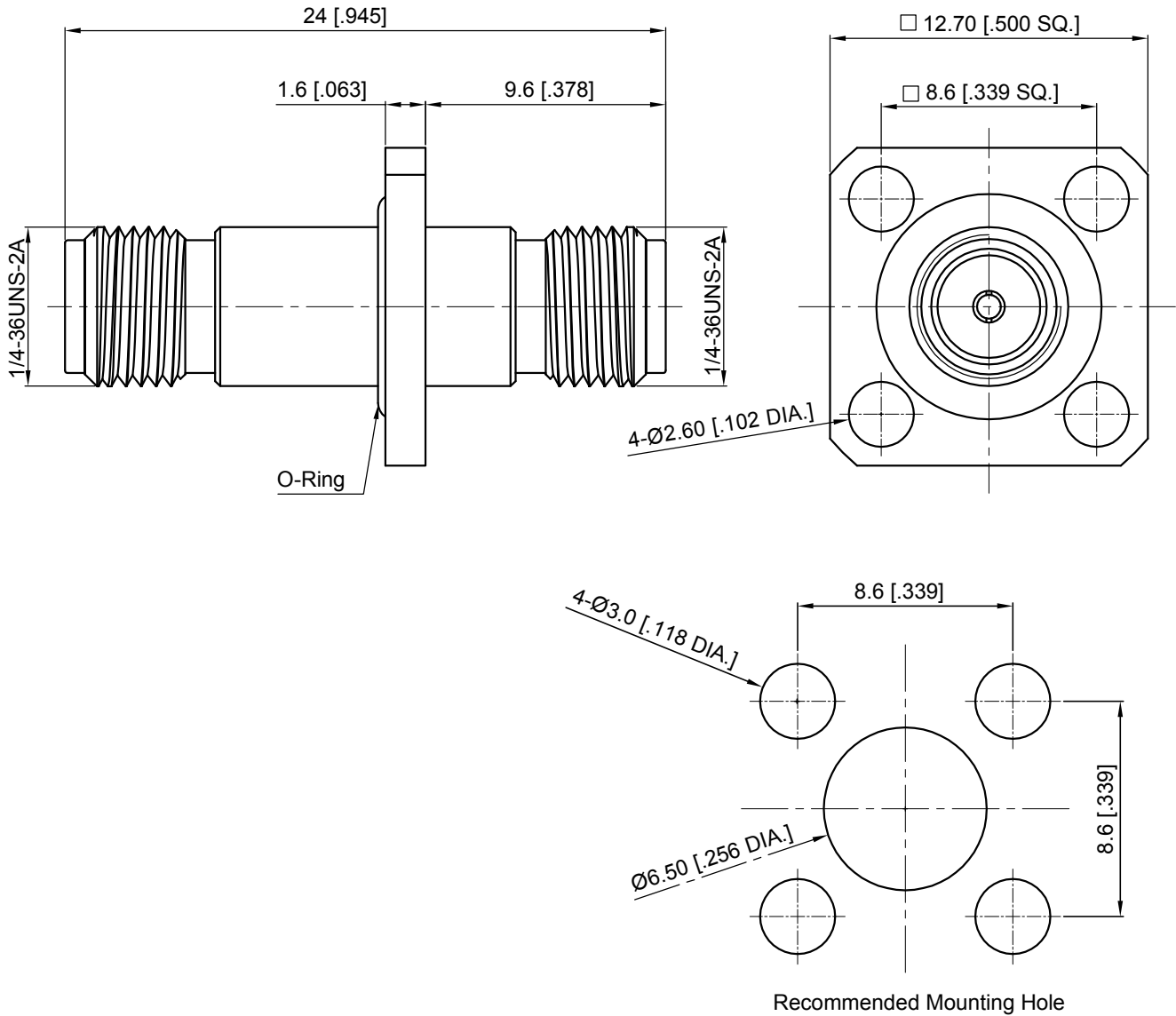


DESCRIPTION	MATERIAL	FINISH
Center Contact	Beryllium Copper Alloy	Gold
Body	Brass	Gold
Insulator	PTFE	—
O-Ring	MVQ (Silicone Rubber)	—


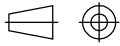
Technical Data

1. Impedance: 50 Ω
2. Temp. Range: -40°C~+75 °C
3. Frequency Range: DC~15GHz
4. VSWR: 1.25 max.
5. Dielectric Withstanding Voltage: 750V RMS. Min.
6. Contact Resistance: 0.004 Ω Max.
7. Insulation Resistance: 5000 M Ω
8. 2002/95/EC(RoHS): Compliant
9. Durability: 200 Cycles



NOTES:

1. ALL SPECIFICATIONS ARE SUBJECT TO CHANGE WITHOUT NOTICE AT ANY TIME
2. CUSTOMER OUTLINE DRAWING FOR REFERENCE ONLY

				Drawn: X. B. Yang 10/27/12	Title:											
				Checked: L. Yang 10/27/12	Adapter, SMA Female to SMA Female Panel Mount											
				Approved: J. Qu 10/27/12												
Description	Ecn.No	Date	Rev	<p>Unless otherwise specified dimensions are in millimeters, dimensions in [] are in inches for customer reference only.</p> <p>Unless Otherwise Specified tolerance are:</p> <table border="0"> <tr> <td>.XX</td> <td>±0.13 [.005"]</td> </tr> <tr> <td>.X</td> <td>±0.20 [.008"]</td> </tr> <tr> <td>X</td> <td>±0.50 [.019"]</td> </tr> <tr> <td>.X°</td> <td>±1°</td> </tr> <tr> <td>X°</td> <td>±2°</td> </tr> </table>			.XX	±0.13 [.005"]	.X	±0.20 [.008"]	X	±0.50 [.019"]	.X°	±1°	X°	±2°
.XX	±0.13 [.005"]															
.X	±0.20 [.008"]															
X	±0.50 [.019"]															
.X°	±1°															
X°	±2°															
 <p>www.anoison.com</p>				View:	Part No:	ANO 212-212-1237										
					Size:	A4	Scale:	5:1	Sheet:	1/1	Rev:	A				