

MATERIAL & FINISH:

- 1 BODY: SEE TABLE
- 2 CENTER CONTACT: SEE TABLE
- 3 INSULATOR: PTFE

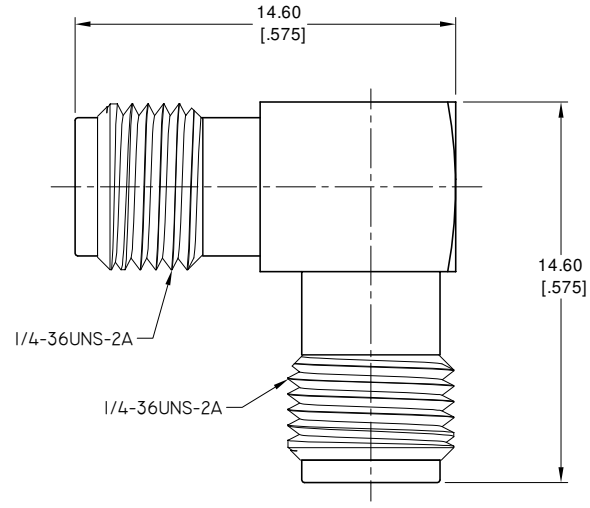
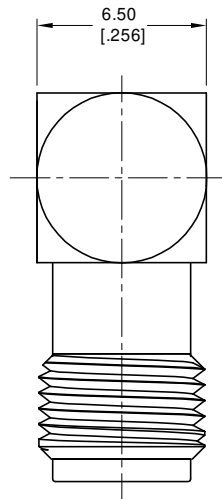
ENVIRONMENTAL DATA:

- 1 TEMPERATURE RANGE: -55 °C ~+125 °C
- 2 2011/65/EU(RoHS) AND 2015/863/(RoHS): COMPLIANT
- 3 1907/2006/EC(REACH): COMPLIANT

ELECTRICAL DATA:

- 1 IMPEDANCE: 50 Ω
- 2 FREQUENCY RANGE: DC~18 GHz
- 3 VSWR: 1.10 MAX. AT DC~6 GHz
1.20 MAX. AT 6~12.4 GHz
1.30 MAX. AT 12.4~18 GHz

REVISIONS			
REV.	DESCRIPTION	DATE	APPROVED
A	INITIAL RELEASE	09/20/12	J QU
B	PART NO. ADDED	11/13/17	J QU
C	1. PART NO. ANO 212-212-1227-2 ADDED 2. FREQUENCY RANGE AND VSWR CHANGED	05/21/20	J QU



TABLE

PART NO.	PART	MATERIAL	FINISH
ANO 212-212-1227	BODY	BRASS	GOLD
	CENTER CONTACT	BERYLLIUM COPPER ALLOY	GOLD
ANO 212-212-1227-1	BODY	BRASS	ALBALOY
	CENTER CONTACT	BERYLLIUM COPPER ALLOY	SILIVER
ANO 212-212-1227-2	BODY	STAINLESS STEEL	PASSIVATED
	CENTER CONTACT	BERYLLIUM COPPER ALLOY	GOLD

DRAWN	X. B. YANG	DATE	05/21/20
CHECKED	W. YANG	DATE	05/21/20
APPROVED	J QU	DATE	05/21/20
UNLESS OTHERWISE SPECIFIED DIMENSIONS ARE IN MILLIMETERS, DIMENSIONS IN [] ARE IN INCHES FOR CUSTOMER REFERENCE ONLY UNLESS OTHERWISE SPECIFIED TOLERANCE ARE:		THESE DRAWINGS AND SPECIFICATIONS ARE THE PROPERTY OF ANOISON ELECTRONICS LTD AND SHOULD NOT BE USED WITHOUT WRITTEN PERMISSION COPYRIGHT © 2020 ANOISON ELECTRONICS LTD	
.XX	±0.13 [005"]		
.X	±0.20 [008"]		
X	±0.50 [019"]		
X°	±1°		
X°	±2°		



TITLE
ADAPTER, RIGHT ANGLE, SMA FEMALE TO SMA FEMALE

VIEW	PART NO. ANO 212-212-1227			
	SIZE A3	SCALE 2:1	SHEET 1/1	REV. C