

4

3

2

1

REVISIONS			
REV.	DESCRIPTION	DATE	APPROVED
A	INITIAL RELEASE	06/20/19	J. Q
B	CHANGED DRAWINGS	03/31/26	J. Q

MATERIAL & FINISH:

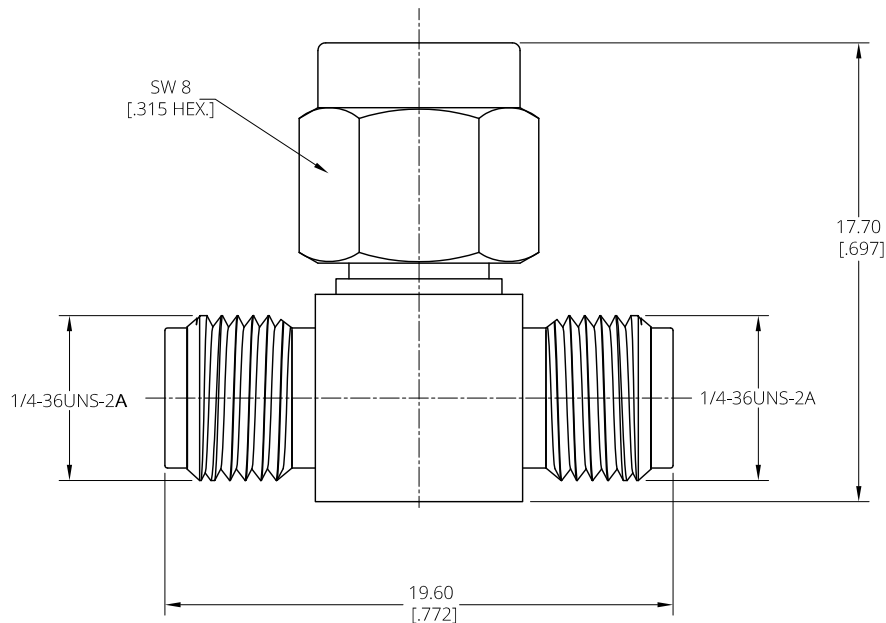
- 1. BODY: BRASS, GOLD PLATED
- 2. CENTER CONTACT: BERYLLIUM COPPER ALLOY, GOLD PLATED
- 3. INSULATOR: PTFE
- 4. COUPLING NUT: BRASS, GOLD PLATED
- 5. GASKET: SILICONE RUBBER

ELECTRICAL DATA:

- 1 IMPEDANCE: 50 Ω
- 2 WORKING VOLTAGE 335 V RMS MAX. @ SEA LEVEL
- 3 INSULATION RESISTANCE: 5K MOHMS MIN.

ENVIRONMENTAL DATA:

- 1. TEMPERATURE RANGE: -55°C~+125°C
- 2. 2011/65/EU(RoHS) AND 2015/863/(RoHS): COMPLIANT
- 3. 1999/45/EC(REACH): COMPLIANT



DRAWN	P. C	DATE	03/31/26
CHECKED	W. Y	DATE	03/31/26
APPROVED	J. Q	DATE	03/31/26
UNLESS OTHERWISE SPECIFIED DIMENSIONS ARE IN MILLIMETERS, DIMENSIONS IN [] ARE IN INCHES FOR CUSTOMER REFERENCE ONLY UNLESS OTHERWISE SPECIFIED TOLERANCE ARE:		THESE DRAWINGS AND SPECIFICATIONS ARE THE PROPERTY OF ANOISON GROUP. THEY SHALL NOT BE REPRODUCED OR USED WITHOUT WRITTEN PERMISSION. © 2026 ANOISON GROUP. ALL RIGHTS RESERVED.	
	XX	±0.13 [005"]	
	X	±0.20 [008"]	
	X	±0.50 [019"]	
	X°	±1°	
	X°	±2°	



TITLE			
"T" ADAPTER CONNECTOR 3 WAY SPLITTER, SMA MALE TO TWO FEMALE TRIPLE			
VIEW		PART NO.	
		ANO 212-211-2122	
SIZE	SCALE	SHEET	REV.
A3	5:1	1/1	B

4

3

2

1