

MATERIAL & FINISH:

- 1 BODY: STAINLESS STEEL, PASSIVATED
- 2 CENTER CONTACT: BERYLLIUM COPPER ALLOY, GOLD PLATED
- 3 INSULATOR: PTFE
- 4 FASTENING NUT: STAINLESS STEEL, PASSIVATED
- 5 WASHER LOCK: STAINLESS STEEL, PASSIVATED

ENVIRONMENTAL DATA:

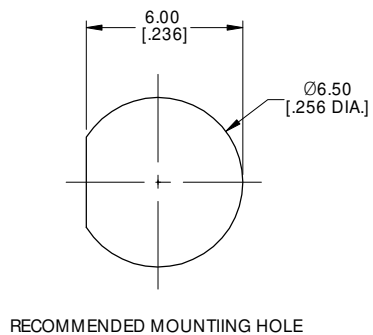
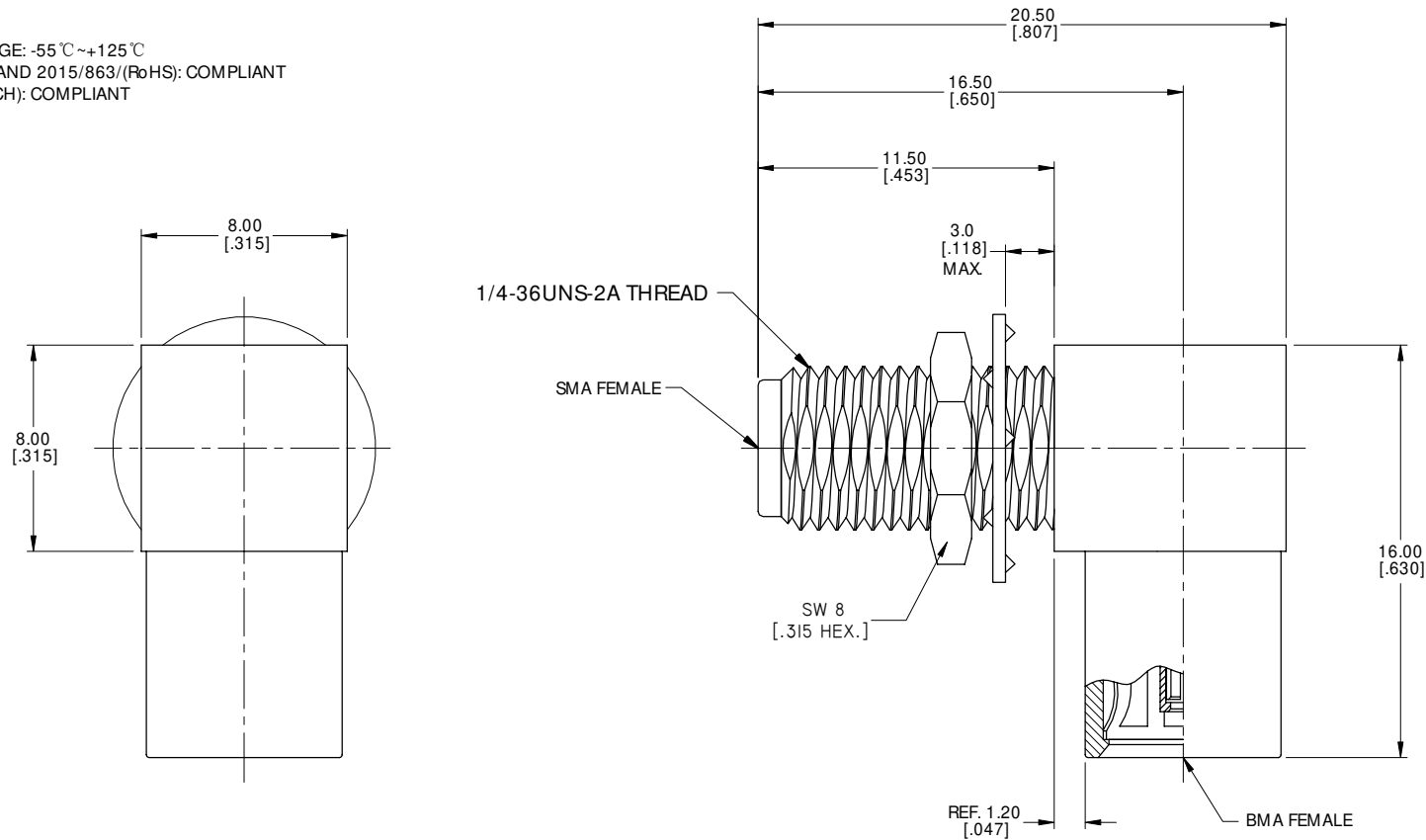
- 1 TEMPERATURE RANGE: -55°C ~ +125°C
- 2 2011/65/EU(RoHS) AND 2015/863/(RoHS): COMPLIANT
- 3 1907/2006/EC(REACH): COMPLIANT

ELECTRICAL DATA:

- 1 IMPEDANCE: 50 Ω
- 2 FREQUENCY RANGE: DC~12 GHz

REVISIONS

REV.	DESCRIPTION	DATE	APPROVED
A	INITIAL RELEASE	12/09/20	J QU



DRAWN	X. B. YANG	DATE	12/09/20
CHECKED	W. YANG	DATE	12/09/20
APPROVED	J QU	DATE	12/09/20

UNLESS OTHERWISE SPECIFIED DIMENSIONS ARE IN MILLIMETERS. DIMENSIONS IN [] ARE IN INCHES FOR CUSTOMER REFERENCE ONLY UNLESS OTHERWISE SPECIFIED TOLERANCE ARE:

.xx	±0.13 [.005"]
.x	±0.20 [.008"]
x	±0.50 [.019"]
.x°	±1°
x°	±2°

THESE DRAWINGS AND SPECIFICATIONS ARE THE PROPERTY OF ANOISON ELECTRONICS LTD AND SHOULD NOT BE USED WITHOUT WRITTEN PERMISSION COPYRIGHT © 2020 ANOISON ELECTRONICS LTD



TITLE
ADAPTER, RIGHT ANGLE
SMA BULKHEAD FEMALE TO BMA FEMALE

VIEW



PART NO.
ANO 212-142-2555

SIZE	SCALE	SHEET	REV.
A3	5:1	1/1	A