

4 3 2 1

**MATERIAL & FINISH:**

- 1 BODY: STAINLESS STEEL, PASSIVTED
- 2 CENTER CONTACT: BERYLLIUM COPPER ALLOY, GOLD OVER NICKEL PLATED
- 3 INSULATOR: PTFE

**ELECTRICAL DATA:**

- 1 IMPEDANCE: 50 Ω
- 2 FREQUENCY RANGE: DC~12.4 GHz
- 3 VSWR: 1.20 MAX.

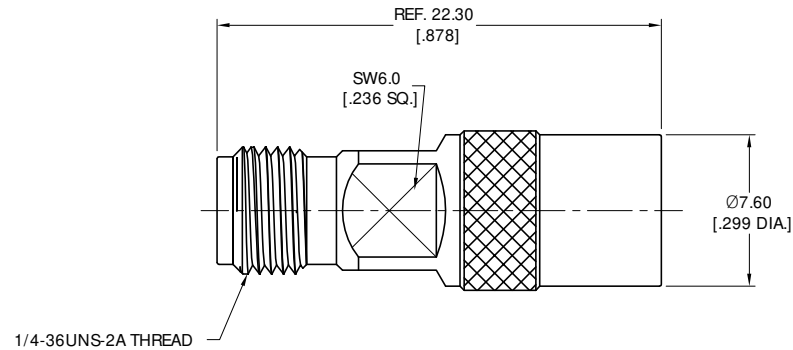
**MECHANICAL DATA:**

- 1 AXIAL FLOAT: 0~1.7 MM
- 2 RADIAL FLOTAT: 0~0.7 MM

**ENVIRONMENTAL DATA:**

- 1 TEMPERATURE RANGE: -55 °C~+125 °C
- 2 2011/65/EU(RoHS) AND 2015/863/(RoHS): COMPLIANT
- 3 1999/2006/EC(REACH): COMPLIANT

REVISIONS			
REV.	DESCRIPTION	DATE	APPROVED
A	INITIAL RELEASE	04/10/25	J Q



DRAWN	P. C	DATE	04/10/25
CHECKED	W. Y	DATE	04/10/25
APPROVED	J Q	DATE	04/10/25
UNLESS OTHERWISE SPECIFIED DIMENSIONS ARE IN MILLIMETERS, DIMENSIONS IN [ ] ARE IN INCHES FOR CUSTOMER REFERENCE ONLY UNLESS OTHERWISE SPECIFIED TOLERANCE ARE:		THESE DRAWINGS AND SPECIFICATIONS ARE THE PROPERTY OF ANOISON ELECTRONICS LTD AND SHOULD NOT BE USED WITHOUT WRITTEN PERMISSION COPYRIGHT © 2025 ANOISON ELECTRONICS LTD	
.XX	±0.13 [.005"]		
.X	±0.20 [.008"]		
X	±0.50 [.019"]		
.X°	±1°		
X°	±2°		



TITLE			
ADAPTER, SMA FEMALE TO BMA JACK (SOCKET CONTACT)			
VIEW	PART NO.		
	ANO 212-142-1706		
SIZE	SCALE	SHEET	REV.
A3	4:1	1/1	A

4 3 2 1