

MATERIAL & FINISH

- 1 BODY: BRASS, GOLD PLATED
- 2 CENTER CONTACT: BRASS, GOLD PLATED
- 3 FASTENING NUT: BRASS, GOLD PLATED
- 4 INSULATOR: PTFE
- 5 LOCK WASHER: PHOSPHOR BRONZE, GOLD PLATED
- 6 PROTECTIVE CAP: PVC, RED

ELECTRICAL DATA:

- 1 IMPEDANCE: 50±2 OHMS
- 2 FREQUENCY RANGE: DC~6 GHz
- 3 VSWR: 1.35 MAX.
- 4 WORKING BOLTAGE @ SEA LEVEL: 500 VRMS MIN.
- 5 DWV @ SEA LEVEL: 1500 VRMS MIN.
- 6 INSULATION RESIST.: 5000 MEGOHMS

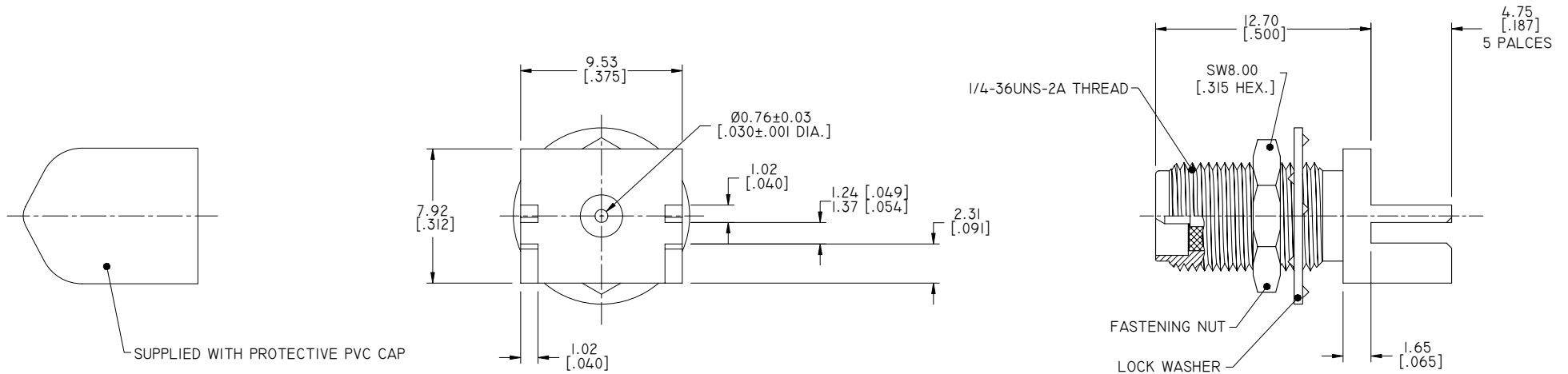
ENVIRONMENTAL DATA:

- 1 TEMPERATURE RANGE: -55°C~+125°C
- 2 2011/65/EU (RoHS): COMPLIANT

MECHANICAL DATA:

- 1 DURABILITY: 500 MATES
- 2 CAPTIVATION-CONTACT: AXIAL: 2 LBS MAX.
RADIAL: 4 IN-OZ MAX.

REVISIONS			
REV.	DESCRIPTION	DATE	APPROVED
A	INITIAL RELEASE	09/08/12	J. QU
B	CHANGED STRUCTURE	07/12/17	J. QU



DRAWN	P. CHEN	DATE	07/12/17
CHECKED	L. YANG	DATE	07/12/17
APPROVED	J. QU	DATE	07/12/17
UNLESS OTHERWISE SPECIFIED DIMENSIONS ARE IN MILLIMETERS. DIMENSIONS IN [] ARE IN INCHES FOR CUSTOMER REFERENCE ONLY UNLESS OTHERWISE SPECIFIED TOLERANCE ARE:		THESE DRAWINGS AND SPECIFICATIONS ARE THE PROPERTY OF ANOISON ELECTRONICS LTD AND SHOULD NOT BE USED WITHOUT WRITTEN PERMISSION COPYRIGHT © 2017 ANOISON ELECTRONICS LTD	
.XX	±0.13 [.005"]		
.X	±0.20 [.008"]		
X	±0.50 [.019"]		
.X°	±1°		
X°	±2°		



TITLE			
RP SMA FEMALE BULKHEAD, PCB EDGE MOUNT POST CONTACT FOR .044 THICK BOARD			
VIEW		PART NO.	
		ANO 2114-4357	
SIZE	SCALE	SHEET	REV.
A3	4:1	1/1	B