

MATERIAL & FINISH:

1. BODY: BRASS, GOLD PLATED
2. CENTER CONTACT: BRASS, GOLD PLATED
3. CRIMP FERRULE: COPPER, NICKEL PLATED
4. INSULATOR: PTFE

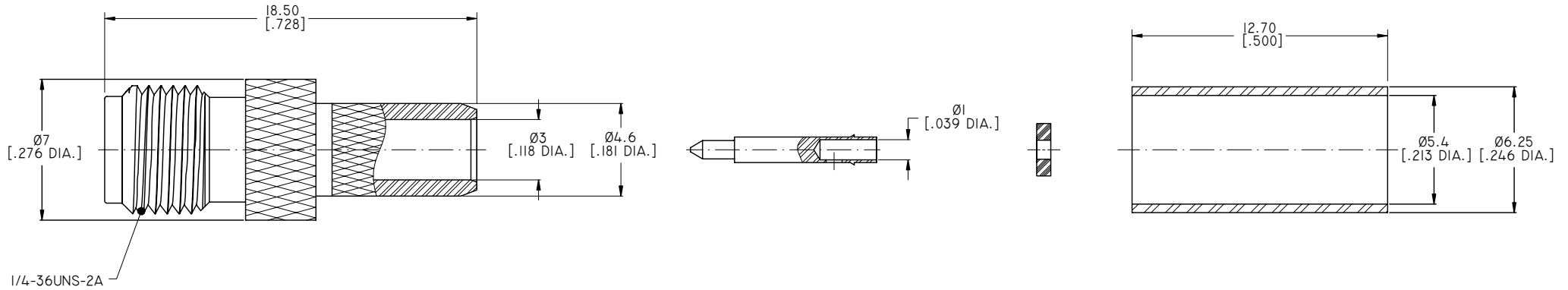
ELECTRICAL DATA:

1. IMPEDANCE: 50 Ω
2. FREQUENCY RANGE: DC~3GHZ

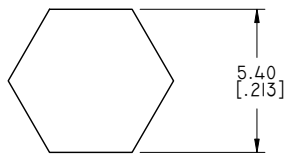
ENVIRONMENTAL DATA:

1. TEMPERATURE RANGE: -40°C~+125°C
2. 2011/65/EU (RoHS): COMPLIANT

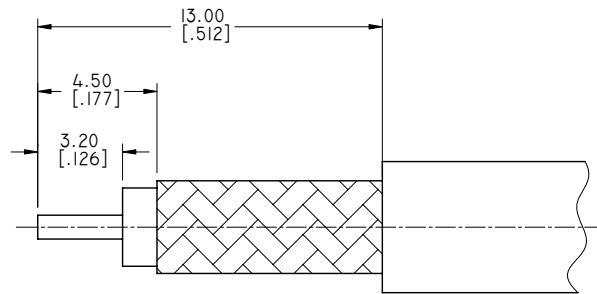
REVISIONS			
REV.	DESCRIPTION	DATE	APPROVED
A	INITIAL RELEASE	12/09/07	J. QU
B	CHANGED STRUCTURE	07/11/17	J. QU



HEX. CRIMP TOOL



CRIMP WIDTH: 10.0 [.394]



CABLE STRIPPING DIMENSIONS

DRAWN	P. CHEN	DATE	07/11/17
CHECKED	L. YANG	DATE	07/11/17
APPROVED	J. QU	DATE	07/11/17
UNLESS OTHERWISE SPECIFIED DIMENSIONS ARE IN MILLINMETERS. DIMENSIONS IN [] ARE IN INCHES FOR CUSTOMER REFERENCE ONLY UNLESS OTHERWISE SPECIFIED TOLERANCE ARE:		THESE DRAWINGS AND SPECIFICATIONS ARE THE PROPERTY OF ANOISON ELECTRONICS LTD AND SHOULD NOT BE USED WITHOUT WRITTEN PERMISSION. COPYRIGHT © 2017 ANOISON ELECTRONICS LTD	
.XX	±0.13 [.005"]		
.X	±0.20 [.008"]		
X	±0.50 [.019"]		
.X°	±1°		
X°	±2°		



TITLE			
RP SMA STRAIGHT FEMALE CRIMP FOR LMRI95 /RG58 CABLE			
VIEW		PART NO.	
		ANO 2114-2017	
SIZE	SCALE	SHEET	REV.
A3	5:1	1/1	B