

MATERIAL & FINISH:

- 1. BODY: BRASS, GOLD PLATED
- 2. CENTER CONTACT: BERYLLIUM COPPER ALLOY, GOLD PLATED
- 3. COUPLING NUT: BRASS, GOLD PLATED
- 4. CRIMP FERRULE: COPPER, NICKEL PLATED
- 5. INSULATOR: PTFE
- 6. GASKET: MVQ(SILICONE RUBBER)

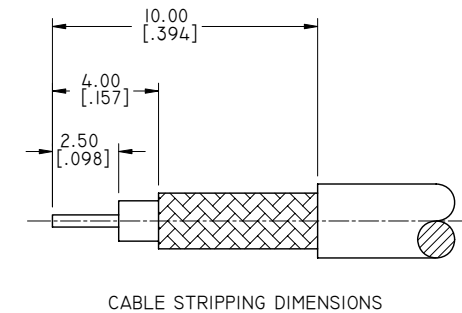
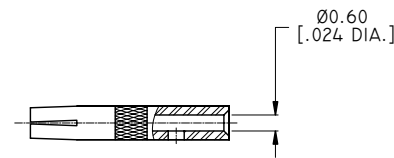
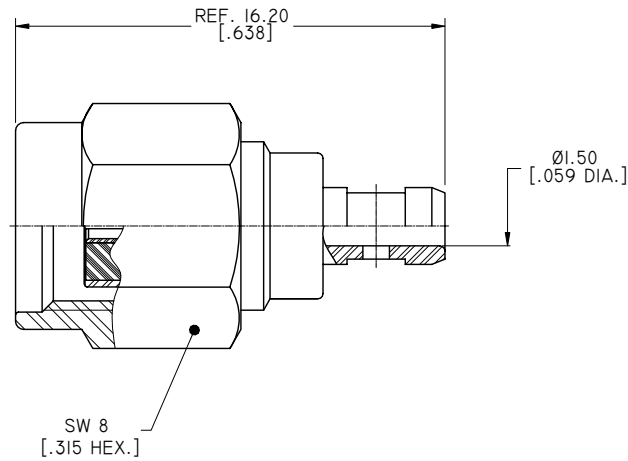
ELECTRICAL DATA:

- 1. IMPEDANCE: 50 Ω
- 2. FREQUENCY RANGE: DC~3GHZ

ENVIRONMENTAL DATA:

- 1. TEMPERATURE RANGE: -40°C~+125°C
- 2. 2011/65/EU (RoHS): COMPLIANT

REVISIONS			
REV.	DESCRIPTION	DATE	APPROVED
B	CHANGED STRUCTURE	08/17/10	J. QU
C	CHANGED STRUCTURE	10/15/10	J. QU
D	DRAWING FORMAT CHANGED	07/11/17	J. QU



DRAWN	P. CHEN	DATE	07/11/17
CHECKED	L. YANG	DATE	07/11/17
APPROVED	J. QU	DATE	07/11/17
UNLESS OTHERWISE SPECIFIED DIMENSIONS ARE IN MILLIMETERS, DIMENSIONS IN [] ARE IN INCHES FOR CUSTOMER REFERENCE ONLY UNLESS OTHERWISE SPECIFIED TOLERANCE ARE:		THESE DRAWINGS AND SPECIFICATIONS ARE THE PROPERTY OF ANOISON ELECTRONICS LTD AND SHOULD NOT BE USED WITHOUT WRITTEN PERMISSION COPYRIGHT © 2017 ANOISON ELECTRONICS LTD	
.XX	±0.13 [.005"]		
.X	±0.20 [.008"]		
X	±0.50 [.019"]		
.X°	±1°		
X°	±2°		



TITLE			
RP SMA STRAIGHT MALE SOLDER FOR RG178 CABLE			
VIEW		PART NO.	
		ANO 2113-2048	
SIZE	SCALE	SHEET	REV.
A3	5:1	1/1	D