

4

3

2

1

MATERIAL & FINISH:

- 1 BODY: STAINLESS STEEL, GOLD PLATED
- 2 CENTER CONTACT: BERYLLIUM COPPER, GOLD PLATED
- 3 INSULATOR: PTFE

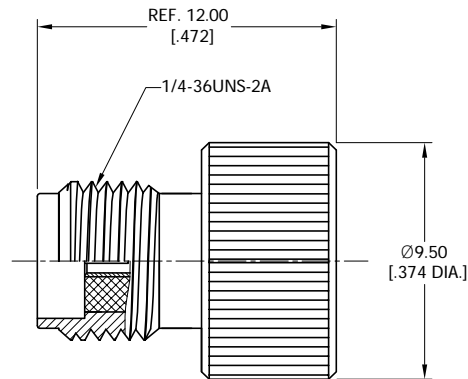
ELECTRICAL DATA:

- 1 IMPEDANCE: 50 Ω
- 2 FREQUENCY RANGE: DC-6 GHz
- 3 PHASE DEVIATION $\leq \pm 1^\circ$

ENVIRONMENTAL DATA:

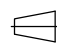

- 1 TEMPERATURE RANGE: -55°C ~ +125°C
- 2 2011/65/EU(RoHS) AND 2015/863/(RoHS): COMPLIANT
- 3 1907/2006/EC(REACH): COMPLIANT

REVISIONS			
REV.	DESCRIPTION	DATE	APPROVED
A	INITIAL RELEASE	04/10/12	J. Q
B	DRAWING FORMAT CHANGED	11/15/24	J. Q
C	ELECTRICAL DATA CHANGED	11/20/24	J. Q



DRAWN	P. C	DATE	11/20/24
CHECKED	W. Y	DATE	11/20/24
APPROVED	J. Q	DATE	11/20/24
UNLESS OTHERWISE SPECIFIED DIMENSIONS ARE IN MILLIMETERS, DIMENSIONS IN [] ARE IN INCHES FOR CUSTOMER REFERENCE ONLY UNLESS OTHERWISE SPECIFIED TOLERANCE ARE:		THESE DRAWINGS AND SPECIFICATIONS ARE THE PROPERTY OF ANOISON ELECTRONICS LTD AND SHOULD NOT BE USED WITHOUT WRITTEN PERMISSION COPYRIGHT © 2024 ANOISON ELECTRONICS LTD	
	XX	±0.13 [.005"]	
	X	±0.20 [.008"]	
	x	±0.50 [.019"]	
	X°	±1°	
	x°	±2°	



TITLE			
SHORT CIRCUIT, SMA FEMALE			
VIEW	PART NO.		
 	ANO 2112-6127		
SIZE	SCALE	SHEET	REV.
A3	5:1	1/1	C

4

3

2

1