

4

3

2

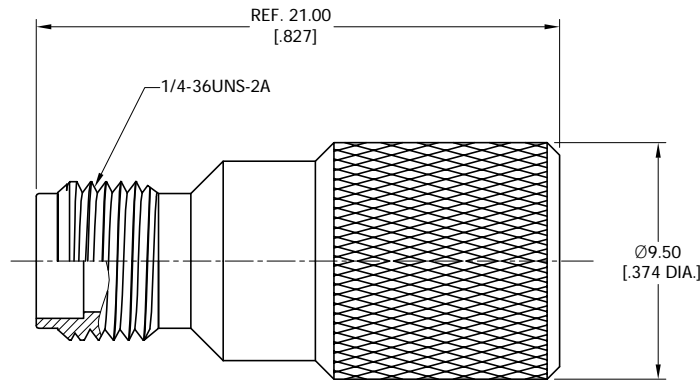
1

MATERIAL & FINISH:
 BODY: STAINLESS STEEL, GOLD PLATED

ENVIRONMENTAL DATA:
 1 TEMPERATURE RANGE: -55°C~+125°C
 2 2011/65/EU(RoHS) AND 2015/863/(RoHS): COMPLIANT
 3 1907/2006/EC(REACH): COMPLIANT

ELECTRICAL DATA:
 1 IMPEDANCE: 50 Ω
 2 FREQUENCY RANGE: DC~6 GHz
 3 PHASE DEVIATION ≤±1°

| REVISIONS | | | |
|-----------|-------------------------|----------|----------|
| REV. | DESCRIPTION | DATE | APPROVED |
| A | INITIAL RELEASE | 04/10/12 | J. Q |
| B | DRAWING FORMAT CHANGED | 11/15/24 | J. Q |
| C | ELECTRICAL DATA CHANGED | 11/20/24 | J. Q |



D

C

B

A

D

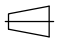

C

B

A

| | | | |
|---|--------------|--|----------|
| DRAWN | P. C | DATE | 11/20/24 |
| CHECKED | W. Y | DATE | 11/20/24 |
| APPROVED | J. Q | DATE | 11/20/24 |
| UNLESS OTHERWISE SPECIFIED DIMENSIONS ARE IN MILLIMETERS, DIMENSIONS IN [] ARE IN INCHES FOR CUSTOMER REFERENCE ONLY UNLESS OTHERWISE SPECIFIED TOLERANCE ARE: | | THESE DRAWINGS AND SPECIFICATIONS ARE THE PROPERTY OF ANOISON ELECTRONICS LTD AND SHOULD NOT BE USED WITHOUT WRITTEN PERMISSION COPYRIGHT © 2024 ANOISON ELECTRONICS LTD | |
| XX | ±0.13 [005"] | | |
| X | ±0.20 [008"] | | |
| x | ±0.50 [019"] | | |
| X° | ±1° | | |
| X° | ±2° | | |



| | | | |
|---|---|--------------|--------------|
| TITLE OPEN CIRCUIT, SMA FEMALE | | | |
| VIEW | PART NO. ANO 2112-6126 | | |
|  |  | SIZE A3 | SCALE 5:1 |
| | | SHEET 1/1 | REV. C |

4

3

2

1