

4

3

2

1

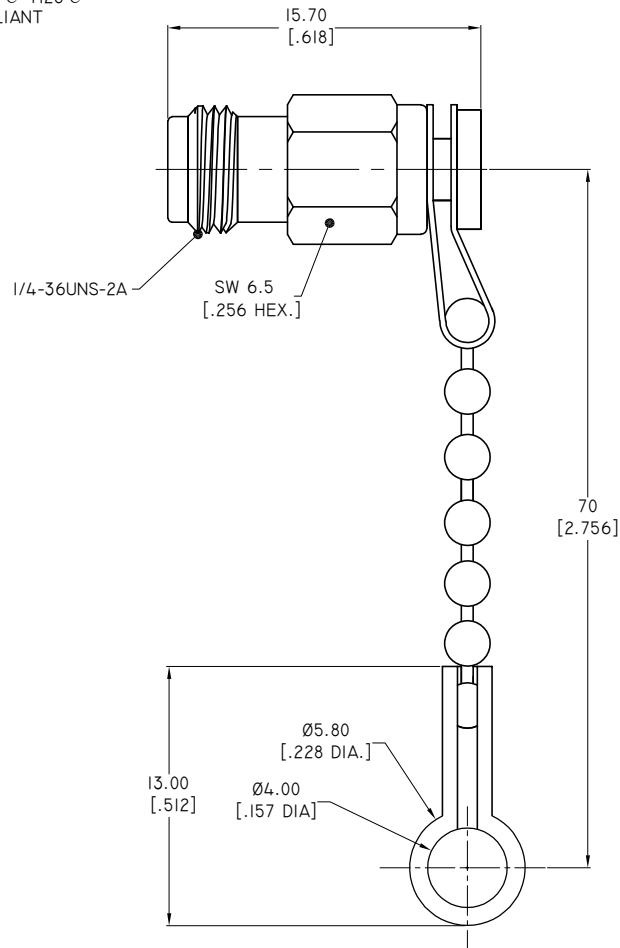
MATERIAL & FINISH:

- 1 BODY: BRASS, NICKEL PLATED
- 2 RIVET: BRASS, NICKEL PLATED
- 3 GASKET: MVQ (SILICONE RUBBER)

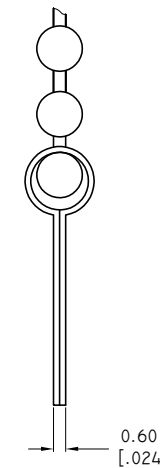
ENVIRONMENTAL DATA:

- 1 TEMPERATURE RANGE: -40°C~+125°C
- 2 2011/65/EU (RoHS): COMPLIANT

REVISIONS			
REV.	DESCRIPTION	DATE	APPROVED
A	INITIAL RELEASE	05/13/15	J. Q
B	DRAWING FORMAT CHANGED	08/03/17	J. Q
C	DRAWING CHANGED	07/28/22	J. Q



A VIEW



DRAWN	W. Y	DATE	07/28/22
CHECKED	P. C	DATE	07/28/22
APPROVED	J. Q	DATE	07/28/22
UNLESS OTHERWISE SPECIFIED DIMENSIONS ARE IN MILLIMETERS, DIMENSIONS IN [] ARE IN INCHES FOR CUSTOMER REFERENCE ONLY UNLESS OTHERWISE SPECIFIED TOLERANCE ARE:		THESE DRAWINGS AND SPECIFICATIONS ARE THE PROPERTY OF ANOISON ELECTRONICS LTD AND SHOULD NOT BE USED WITHOUT WRITTEN PERMISSION COPYRIGHT © 2022 ANOISON ELECTRONICS LTD	
.XX	±0.13	[.005"]	
.X	±0.20	[.008"]	
X	±0.50	[.019"]	
X*	±1°		
X**	±2°		



TITLE
SMA / 3.5MM / 2.92MM CAP, FEMALE WITH CHAIN

VIEW	PART NO. ANO 2112-6101		
	SIZE A3	SCALE 4:1	SHEET 1/1
		REV. C	

4

3

2

1