

4

3

2

1

**MATERIAL & FINISH:**

- 1 BODY: STAINLESS STEEL, PASSIVATED
- 2 CENTER CONTACT: BERYLLIUM COPPER ALLOY, GOLD PLATED
- 3 WASHER: PHOSPHOR BRONZE, NICKEL PLATED
- 4 FASTENING NUT: BRASS, NICKEL PLATED
- 5 INSULATOR: PTFE

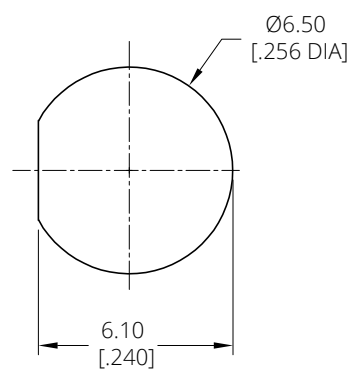
**ELECTRICAL DATA:**

- 1 IMPEDANCE: 50 Ω
- 2 FREQUENCY RANGE: DC~18 GHz

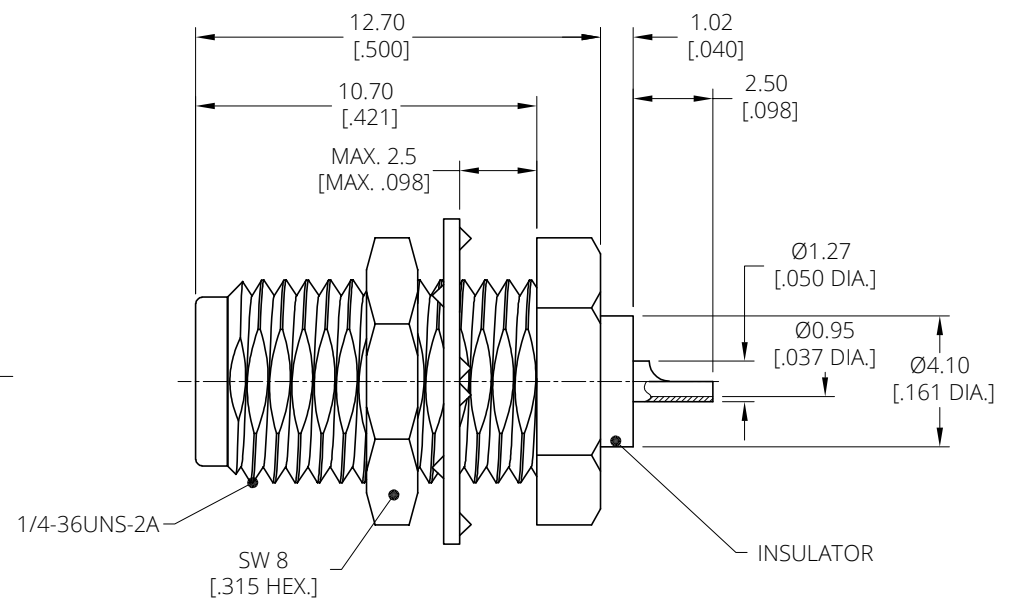
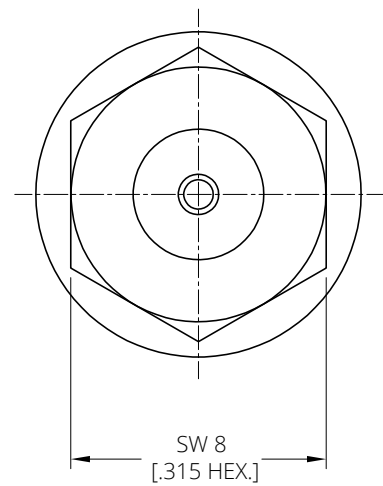
REVISIONS			
REV.	DESCRIPTION	DATE	APPROVED
A	INITIAL RELEASE	11/27/24	J. Q

**ENVIRONMENTAL DATA:**

- 1 TEMPERATURE RANGE: -65°C~+165°C
- 2 2011/65/EU(RoHS) AND 2015/863/(RoHS): COMPLIANT
- 3 1907/2006/EC(REACH): COMPLIANT



RECOMMEDNED MOUNTING HOLE



DRAWN	W. Y	DATE	11/27/24
CHECKED	X. Y	DATE	11/27/24
APPROVED	J. Q	DATE	11/27/24
UNLESS OTHERWISE SPECIFIED DIMENSIONS ARE IN MILLIMETERS, DIMENSIONS IN [ ] ARE IN INCHES FOR CUSTOMER REFERENCE ONLY UNLESS OTHERWISE SPECIFIED TOLERANCE ARE:		THESE DRAWINGS AND SPECIFICATIONS ARE THE PROPERTY OF ANOISON ELECTRONICS LTD AND SHOULD NOT BE USED WITHOUT WRITTEN PERMISSION COPYRIGHT © 2024 ANOISON ELECTRONICS LTD	
XX	±0.13 [0.005"]		
X	±0.20 [0.008"]		
x	±0.50 [0.019"]		
X°	±1°		
x°	±2°		



TITLE			
SMA STRAIGHT FEMALE BULKHEAD RECEPTACLE			
VIEW		PART NO.	
		ANO 2112-5725	
SIZE	SCALE	SHEET	REV.
A3	8:1	1/1	A

4

3

2

1