

4

3

2

1

MATERIAL & FINISH:

- 1 BODY: SEE TABLE
- 2 CENTER CONTACT: BERYLLIUM COPPER ALLOY, GOLD PLATED
- 3 INSULATOR: PEI & PTFE

ELECTRICAL DATA:

- 1 IMPEDANCE: 50 Ω
- 2 FREQUENCY RANGE: DC~27 GHz

ENVIRONMENTAL DATA:

- 1 TEMPERATURE RANGE: -55°C~+125°C
- 2 2011/65/EU (RoHS) AND 2015/863/(RoHS): COMPLIANT
- 3 1999/45/EC (REACH): COMPLIANT

REVISIONS

REV.	DESCRIPTION	DATE	APPROVED
A	INITIAL RELEASE	07/03/20	J QU

D

D

C

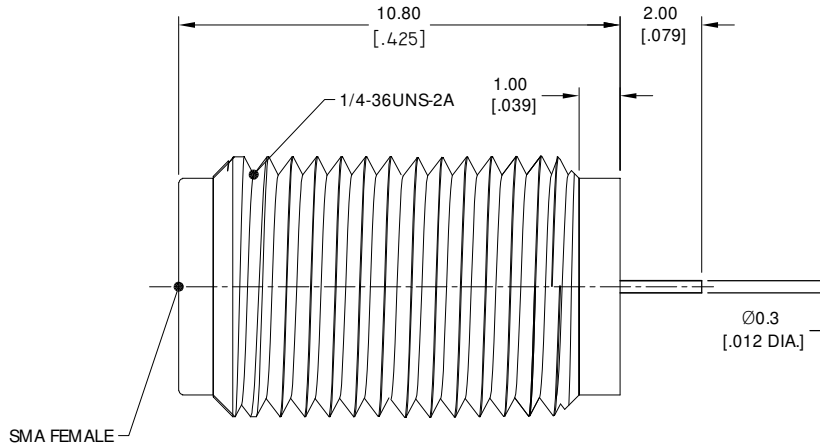
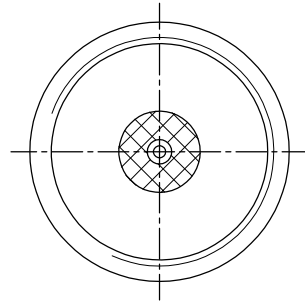
C

B

B

A

A



SMA FEMALE

PART NO.	PART	MATERIAL	FINISH
ANO 2112-5569	BODY	STAINLESS STELL	PASSIVATED
ANO 2112-5569-1			GOLD



DRAWN	W. YANG	DATE	07/03/20
CHECKED	X. B. YANG	DATE	07/03/20
APPROVED	J QU	DATE	07/03/20

UNLESS OTHERWISE SPECIFIED DIMENSIONS ARE IN MILLIMETERS, DIMENSIONS IN [] ARE IN INCHES FOR CUSTOMER REFERENCE ONLY UNLESS OTHERWISE SPECIFIED TOLERANCE ARE:

.XX	±0.13 [0.005"]
.X	±0.20 [0.008"]
X	±0.50 [0.019"]
.X°	±1°
X°	±2°

THESE DRAWINGS AND SPECIFICATIONS ARE THE PROPERTY OF ANOISON ELECTRONICS LTD AND SHOULD NOT BE USED WITHOUT WRITTEN PERMISSION COPYRIGHT © 2020 ANOISON ELECTRONICS LTD



TITLE			
SMA FEMALE THREAD-IN			
VIEW	PART NO. ANO 2112-5569		
	SIZE A3	SCALE 2.5:1	SHEET 1/1
	REV. A		

4

3

2

1