

MATERIAL & FINISH:

- 1 BODY: STAINLESS STEEL, PASSIVATED
- 2 CENTER CONTACT: BERYLLIUM COPPER ALLOY, GOLD PLATED
- 3 INSULATOR: PTFE
- 4 COUPLING NUT: STAINLESS STEEL, PASSIVATED
- 5 WASHER LOCK: STAINLESS STEEL, PASSIVATED

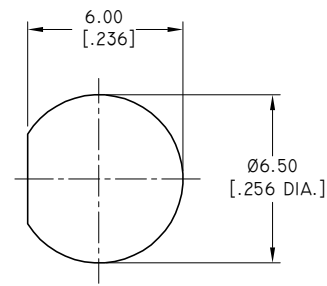
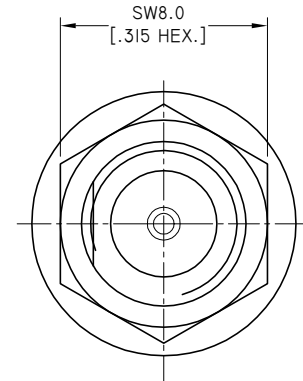
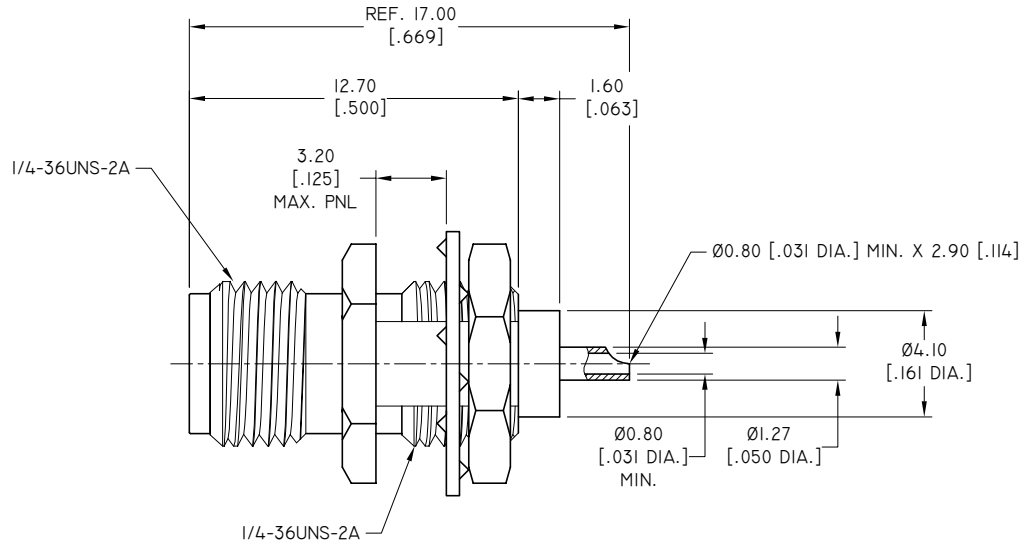
ELECTRICAL SPECIFICATIONS:

- 1 IMPEDANCE: 50 Ω
- 2 FREQUENCY RANGE: DC~18GHZ
- 3 VSWR: 1.25 MAX.

ENVIRONMENTAL DATA:


- 1 TEMPERATURE RANGE: -55°C~+125°C
- 2 2011/65/EU (RoHS): COMPLIANT

| REVISIONS | | | |
|-----------|-----------------|----------|----------|
| REV. | DESCRIPTION | DATE | APPROVED |
| A | INITIAL RELEASE | 06/01/17 | J. QU |
| | | | |

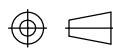


RECOMMENDE MOUNTING HOLE

| | | | |
|---|---------------|--|----------|
| DRAWN | X. B. YANG | DATE | 06/01/17 |
| CHECKED | P. CHEN | DATE | 06/01/17 |
| APPROVED | J. QU | DATE | 06/01/17 |
| UNLESS OTHERWISE SPECIFIED DIMENSIONS ARE IN MILLIMETERS. DIMENSIONS IN [] ARE IN INCHES FOR CUSTOMER REFERENCE ONLY UNLESS OTHERWISE SPECIFIED TOLERANCE ARE: | | THESE DRAWINGS AND SPECIFICATIONS ARE THE PROPERTY OF ANOISON ELECTRONICS LTD AND SHOULD NOT BE USED WITHOUT WRITTEN PERMISSION COPYRIGHT © 2017 ANOISON ELECTRONICS LTD | |
| .XX | ±0.13 [.005"] | | |
| .X | ±0.20 [.008"] | | |
| X | ±0.50 [.019"] | | |
| .X° | ±1° | | |
| X° | ±2° | | |



ANOISON
...we create connection for technologies

| | | | |
|---|-------|---------------|------|
| TITLE | | | |
| SMA FEMALE, FRONT MOUNTED BULKHEAD WITH SLOT SOLDER, .125 THICKNESS PANEL | | | |
| VIEW | | PART NO. | |
|  | | ANO 2112-5455 | |
| SIZE | SCALE | SHEET | REV. |
| A3 | 5:1 | 1/1 | A |