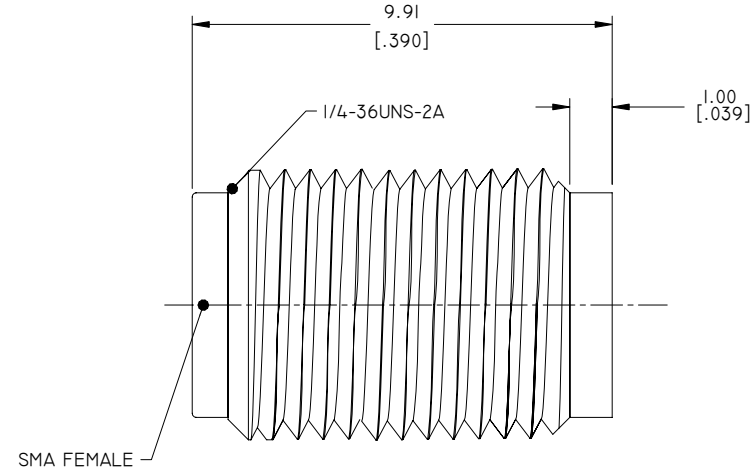
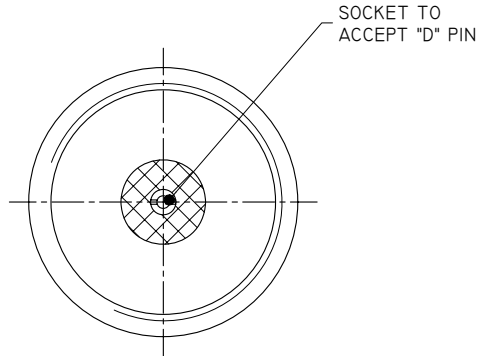


1.0 MATERIAL & FINISH
 1.1 BODY: STAINLESS STEEL, PASSIVATED
 1.2 CENTER CONTACT: BERYLLIUM COPPER ALLOY, GOLD PLATED
 1.3 INSULATOR: PTFE & PEI

2.0 ENVIRONMENTAL DATA:
 2.1 TEMPERATURE RANGE: -65°C~+165°C
 2.2 2011/65/EU (RoHS): COMPLIANT
 2.3 1999/45/EC(REACH): COMPLIANT

3.0 ELECTRICAL SPECIFICATIONS:
 3.1 IMPEDANCE: 50 Ω
 3.2 FREQUENCY RANGE: DC~27GHZ
 3.3 VSWR: 1.10 MAX. DC~18GHZ
 1.15 MAX. 18~27GHZ

REVISIONS			
REV.	DESCRIPTION	DATE	APPROVED
A	INITIAL RELEASE	10/15/18	J. QU



PART NO.	D	MAX. PIN DEPTH
ANO 2112-5346-1	∅0.30 [.012 DIA.]	1.91 [.075]
ANO 2112-5346-2	∅0.38 [.015 DIA.]	2.54 [.100]
ANO 2112-5346-3	∅0.46 [.018 DIA.]	2.54 [.100]
ANO 2112-5346-4	∅0.51 [.020 DIA.]	2.54 [.100]
ANO 2112-5346-5	∅0.23 [.009 DIA.]	1.65 [.065]
ANO 2112-5346-6	∅0.91 [.036 DIA.]	2.54 [.100]

DRAWN L. YANG	DATE 10/15/18	
CHECKED X. B. YANG	DATE 10/15/18	
APPROVED J. QU	DATE 10/15/18	
UNLESS OTHERWISE SPECIFIED DIMENSIONS ARE IN MILLINMETERS, DIMENSIONS IN [] ARE IN INCHES FOR CUSTOMER REFERENCE ONLY UNLESS OTHERWISE SPECIFIED TOLERANCE ARE: .XX ±0.13 [.005"] .X ±0.20 [.008"] X ±0.50 [.019"] .X° ±1° X° ±2°		TITLE SMA FEMALE THREAD-IN
THESE DRAWINGS AND SPECIFICATIONS ARE THE PROPERTY OF ANOISON ELECTRONICS LTD AND SHOULD NOT BE USED WITHOUT WRITTEN PERMISSION COPYRIGHT © 2018 ANOISON ELECTRONICS LTD		VIEW
		PART NO. ANO 2112-5346
SIZE A3	SCALE 8:1	SHEET 1/1
		REV. A