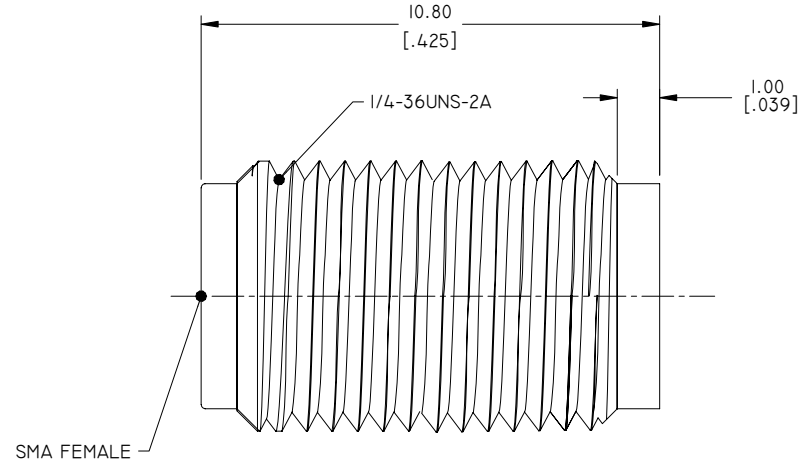
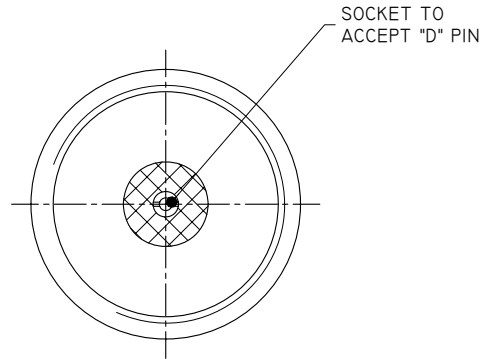


1.0 MATERIAL & FINISH  
 1.1 BODY: STAINLESS STEEL, PASSIVATED  
 1.2 CENTER CONTACT: BERYLLIUM COPPER ALLOY, GOLD PLATED  
 1.3 INSULATOR: PTFE & PEI

2.0 ENVIRONMENTAL DATA:  
 2.1 TEMPERATURE RANGE: -65°C~+165°C  
 2.2 2011/65/EU (RoHS): COMPLIANT  
 2.3 1999/45/EC(REACH): COMPLIANT

3.0 ELECTRICAL SPECIFICATIONS:  
 3.1 IMPEDANCE: 50 Ω  
 3.2 FREQUENCY RANGE: DC~27GHZ  
 3.3 VSWR: 1.10 MAX. DC~18GHZ  
 1.15 MAX. 18~27GHZ

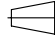


| REVISIONS |                             |          |          |
|-----------|-----------------------------|----------|----------|
| REV.      | DESCRIPTION                 | DATE     | APPROVED |
| D         | ADDED .009 DIA. & .036 DIA. | 02/29/16 | J. QU    |
| E         | REMOVE ANO 2112-5346        | 10/15/18 | J. QU    |

| PART NO.        | D                 | MAX. PIN DEPTH |
|-----------------|-------------------|----------------|
| ANO 2112-5332-1 | Ø0.23 [.009 DIA.] | 1.65 [.065]    |
| ANO 2112-5332-2 | Ø0.30 [.012 DIA.] | 1.91 [.075]    |
| ANO 2112-5332-3 | Ø0.38 [.015 DIA.] | 2.54 [.100]    |
| ANO 2112-5332-4 | Ø0.46 [.018 DIA.] | 2.54 [.100]    |
| ANO 2112-5332-5 | Ø0.51 [.020 DIA.] | 2.54 [.100]    |
| ANO 2112-5332-6 | Ø0.91 [.036 DIA.] | 2.54 [.100]    |

|   |               |  |          |
|---|---------------|--|----------|
| DRAWN   | L. YANG       | DATE   | 10/15/18 |
| CHECKED   | X. B. YANG    | DATE   | 10/15/18 |
| APPROVED  | J. QU         | DATE   | 10/15/18 |
| UNLESS OTHERWISE SPECIFIED DIMENSIONS ARE IN MILLIMETERS, DIMENSIONS IN [ ] ARE IN INCHES FOR CUSTOMER REFERENCE ONLY UNLESS OTHERWISE SPECIFIED TOLERANCE ARE: |               | THESE DRAWINGS AND SPECIFICATIONS ARE THE PROPERTY OF ANOISON ELECTRONICS LTD AND SHOULD NOT BE USED WITHOUT WRITTEN PERMISSION COPYRIGHT © 2018 ANOISON ELECTRONICS LTD |          |
| .XX   | ±0.13 [.005"] |  |          |
| .X  | ±0.20 [.008"] |  |          |
| X   | ±0.50 [.019"] |  |          |
| .X°   | ±1°           |  |          |
| X°  | ±2°           |  |          |



|   |               |       |      |
|---|---------------|-------|------|
| TITLE   |               |       |      |
| SMA FEMALE THREAD-IN  |               |       |      |
| VIEW  | PART NO.      |       |      |
|  | ANO 2112-5332 |       |      |
| SIZE  | SCALE         | SHEET | REV. |
| A3  | 8:1           | 1/1   | E    |