

4

3

2

1

**MATERIAL & FINISH:**

- 1 BODY: STAINLESS STEEL, PASSIVATED
- 2 CENTER CONTACT: BERYLLIUM COPPER ALLOY, GOLD PLATED
- 3 INSULATOR: PTFE

**ENVIRONMENTAL DATA:**

- 1 TEMPERATURE RANGE: -55 °C~+125 °C
- 2 2011/65/EU(RoHS) AND 2015/863/(RoHS): COMPLIANT
- 3 1907/2006/EC(REACH): COMPLIANT

**ELECTRICAL DATA:**

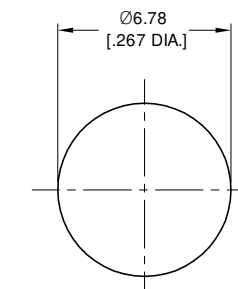
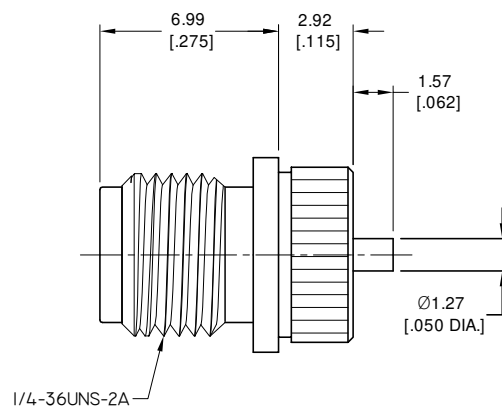
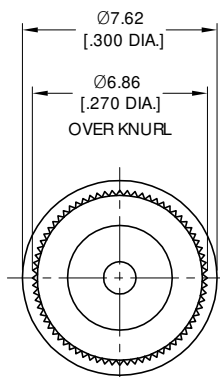
- 1 IMPEDANCE: 50 Ω
- 2 FREQUENCY RANGE: DC~18 GHz
- 3 VSWR: 1.25 MAX.

**MECHANICAL DATA:**

- 1 CENTER CONTACT: CAPTIVATED
- 2 INTERFACE: MIL-STD-348

## REVISIONS

REV.	DESCRIPTION	DATE	APPROVED
A	INITIAL RELEASE	08/08/13	J QU
B	VSWR CHANGED	09/11/20	J QU



RECOMMENDED MOUNTING HOLE

DRAWN	X. B. YANG	DATE	09/11/20	
CHECKED	W. YANG	DATE	09/11/20	
APPROVED	J QU	DATE	09/11/20	
UNLESS OTHERWISE SPECIFIED DIMENSIONS ARE IN MILLIMETERS, DIMENSIONS IN [ ] ARE IN INCHES FOR CUSTOMER REFERENCE ONLY UNLESS OTHERWISE SPECIFIED TOLERANCE ARE:		THESE DRAWINGS AND SPECIFICATIONS ARE THE PROPERTY OF ANOISON ELECTRONICS LTD AND SHOULD NOT BE USED WITHOUT WRITTEN PERMISSION COPYRIGHT © 2020 ANOISON ELECTRONICS LTD		TITLE
				SMA STRAIGHT FEMALE PRESSMOUNT RECEPTACLE
VIEW		PART NO.		
		ANO 2112-5287		
SIZE	A3	SCALE	5:1	SHEET
			1/1	REV.
				B

4

3

2

1

D

C

B

A

D

C

B

A