

MATERIAL & FINISH:

- 1 BODY: BRASS, SEE TABEL
- 2 CENTER CONTACT: BERYLLIUM COPPER ALLOY, GOLD PLATED
- 3 INSULATOR: PTFE

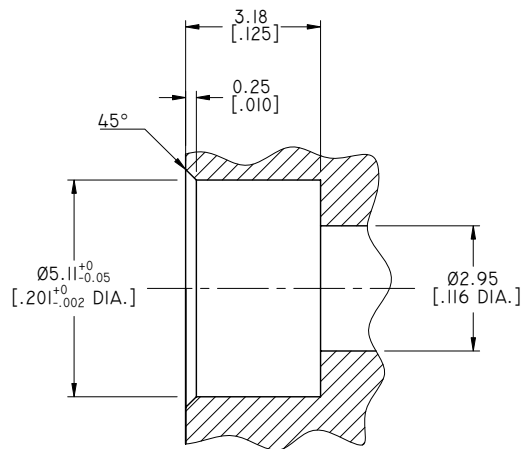
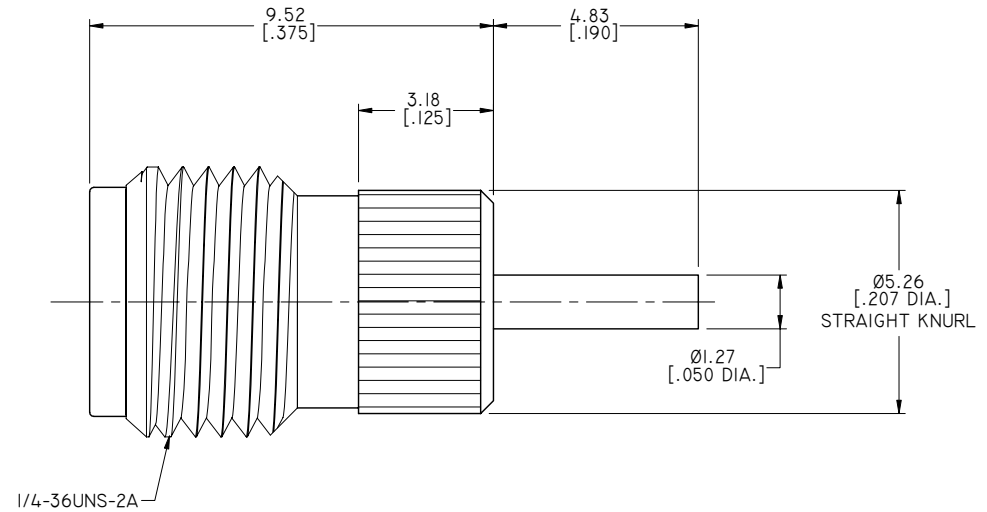
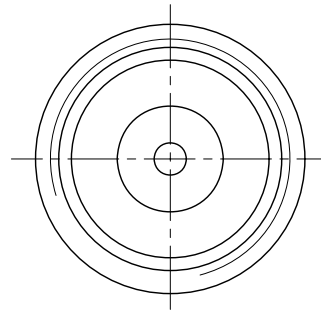
ENVIRONMENTAL DATA:

- 1 TEMPERATURE RANGE: -55°C~+125°C
- 2 2011/65/EU (RoHS): COMPLIANT

ELECTRICAL DATA:

- 1 IMPEDANCE: 50 Ω
- 2 FREQUENCY RANGE: DC~18 GHz

REVISIONS			
REV.	DESCRIPTION	DATE	APPROVED
A	INITIAL RELEASE	05/22/12	J. QU
B	1 DRAWING FORMAT CHANGED 2 Ø5.26 [.207 DIA.] STRAIGHT KNURL ADDED 3 EPOXY REMOVED 4 ANO 2112-5203-1 ADDED	09/22/17	J. QU



RECOMMENDED MOUNTING HOLE
NOT INTENDED FOR USE IN MATERIALS
HARDER THAN ROCKWELL B82

TABEL

PART NO.	PART	FINISH
ANO 2112-5203	BODY	GOLD
ANO 2112-5203-1		NICKEL

DRAWN	X. B. YANG	DATE	09/22/17
CHECKED	W. YANG	DATE	09/22/17
APPROVED	J. QU	DATE	09/22/17
UNLESS OTHERWISE SPECIFIED DIMENSIONS ARE IN MILLIMETERS. DIMENSIONS IN [] ARE IN INCHES FOR CUSTOMER REFERENCE ONLY UNLESS OTHERWISE SPECIFIED TOLERANCE ARE:		THESE DRAWINGS AND SPECIFICATIONS ARE THE PROPERTY OF ANOISON ELECTRONICS LTD AND SHOULD NOT BE USED WITHOUT WRITTEN PERMISSION. COPYRIGHT © 2017 ANOISON ELECTRONICS LTD	
.XX	±0.13 [.005"]		
.X	±0.20 [.008"]		
X	±0.50 [.019"]		
.X°	±1°		
X°	±2°		



TITLE
SMA STRAIGHT FEMALE, PRESS FIT RECEPTACLE
ROUND CONTACT

VIEW	PART NO. ANO 2112-5203			
	SIZE A3	SCALE 8:1	SHEET 1/1	REV. B