

MATERIAL & FINISH:

- 1 BODY: BRASS, NICKEL PLATED
- 2 CENTER CONTACT: BERYLLIUM COPPER ALLOY, GOLD PLATED
- 3 INSULATOR: PTFE

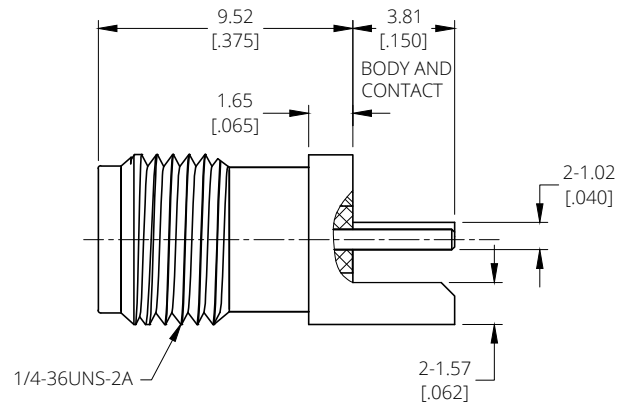
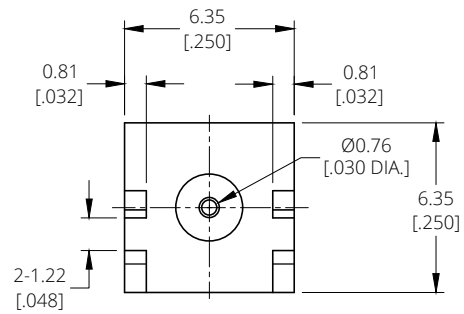
ELECTRICAL DATA:

- 1 IMPEDANCE: 50 Ω
- 2 FREQUENCY RANGE: DC~18 GHz
- 3 INSULATION RESISTANCE: 5000 MΩ
- 4 DIELECTRIC WITHSTAND VOLTAGE: 1000 VRMS MAX.

ENVIRONMENTAL DATA:

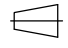

- 1 TEMPERATURE RANGE: -55°C~+125°C
- 2 2011/65/EU(RoHS) AND 2015/863/(RoHS): COMPLIANT
- 3 1907/2006/EC(REACH): COMPLIANT

REVISIONS			
REV.	DESCRIPTION	DATE	APPROVED
A	INITIAL RELEASE	07/22/25	J. Q
B	BODY FINISH NICKEL PLATED CHANGED WAS GOLD PLATED	07/31/25	J. Q



DRAWN	Y. H	DATE	07/31/25
CHECKED	P. C	DATE	07/31/25
APPROVED	J. Q	DATE	07/31/25
UNLESS OTHERWISE SPECIFIED DIMENSIONS ARE IN MILLIMETERS, DIMENSIONS IN [] ARE IN INCHES FOR CUSTOMER REFERENCE ONLY UNLESS OTHERWISE SPECIFIED TOLERANCE ARE:		THESE DRAWINGS AND SPECIFICATIONS ARE THE PROPERTY OF ANOISON ELECTRONICS LTD AND SHOULD NOT BE USED WITHOUT WRITTEN PERMISSION COPYRIGHT © 2025 ANOISON ELECTRONICS LTD	
	.XX	±0.13 [0.005"]	
	.X	±0.20 [0.008"]	
	X	±0.50 [0.019"]	
	X°	±1°	
	X°	±2°	



TITLE			
SMA STRAIGHT FEMALE EDGE MOUNT FOR .042 BOARD THICKNESS PCB			
VIEW	PART NO.		
 	ANO 2112-4764		
SIZE	SCALE	SHEET	REV.
A3	5:1	1/1	B