

**MATERIAL & FINISH:**

- 1 BODY: STAINLESS STEEL 303, PASSIVATED
- 2 CENTER CONTACT: BERYLLIUM COPPER ALLOY, GOLD PLATED
- 3 INSULATOR: PTFE

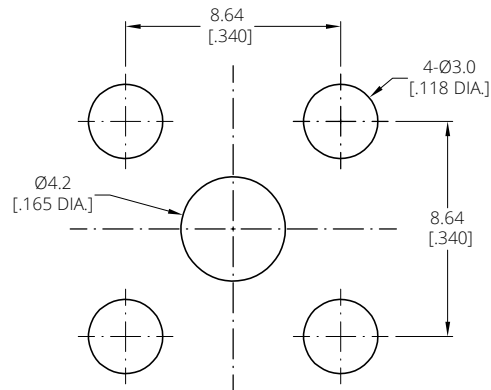
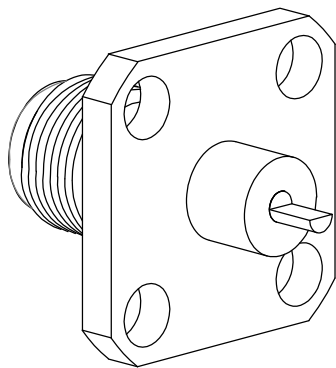
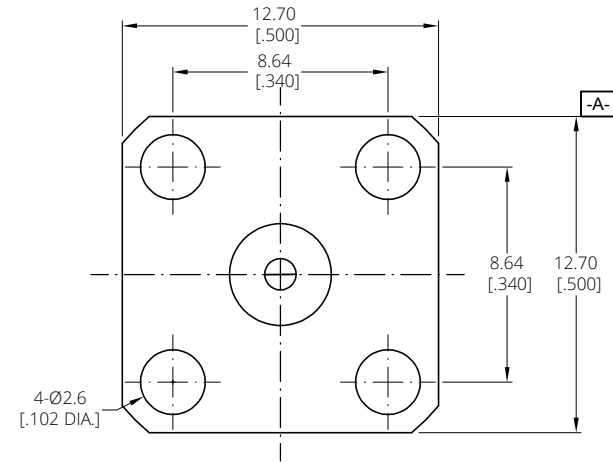
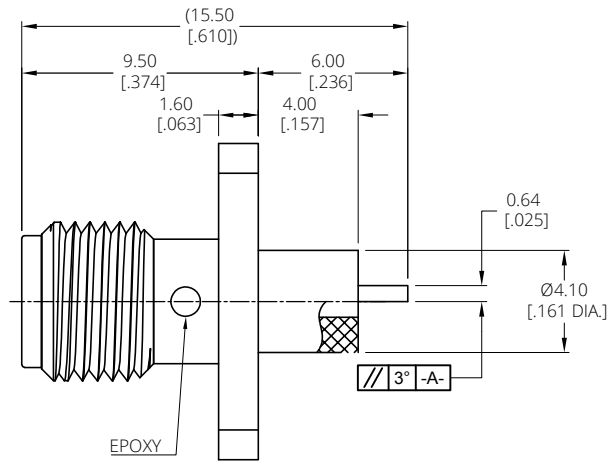
**ELECTRICAL DATA:**

- 1 IMPEDANCE: 50 Ω
- 2 FREQUENCY RANGE: DC~18 GHz

**ENVIRONMENTAL DATA:**

- 1 TEMPERATURE RANGE: -55°C~+125°C
- 2 2011/65/EU(RoHS) AND 2015/863/(RoHS): COMPLIANT
- 3 1907/2006/EC(REACH): COMPLIANT

REVISIONS			
REV.	DESCRIPTION	DATE	APPROVED
A	INITIAL RELEASE	10/28/24	J. Q



RECOMMENDED MOUNTING HOLE

DRAWN	W. Y	DATE	10/28/24
CHECKED	X. Y	DATE	10/28/24
APPROVED	J. Q	DATE	10/28/24
UNLESS OTHERWISE SPECIFIED DIMENSIONS ARE IN MILLIMETERS, DIMENSIONS IN [ ] ARE IN INCHES FOR CUSTOMER REFERENCE ONLY UNLESS OTHERWISE SPECIFIED TOLERANCE ARE:		THESE DRAWINGS AND SPECIFICATIONS ARE THE PROPERTY OF ANOISON ELECTRONICS LTD AND SHOULD NOT BE USED WITHOUT WRITTEN PERMISSION COPYRIGHT © 2024 ANOISON ELECTRONICS LTD	
XX	±0.13 [.005"]		
X	±0.20 [.008"]		
x	±0.50 [.019"]		
x°	±1°		
x°	±2°		



TITLE			
SMA STRAIGHT FEMALE 4 HOLE .500 SQ. FLANGE MOUNT			
VIEW		PART NO.	
		ANO 2112-4718	
SIZE	SCALE	SHEET	REV.
A3	5:1	1/1	A