

4

3

2

1

**MATERIAL & FINISH:**

- 1 BODY: BRASS, GOLD 0.25 OVER NICKEL 2 PLATED
- 2 CENTER CONTACT: BERYLLIUM COPPER, GOLD 0.25 OVER NICKEL 2 PLATED
- 3 INSULATOR: PTFE
- 4 CAPTURE BEAD: PEI

**ELECTRICAL DATA:**

- 1 IMPEDANCE: 50 Ω
- 2 FREQUENCY RANGE: DC~18 GHz

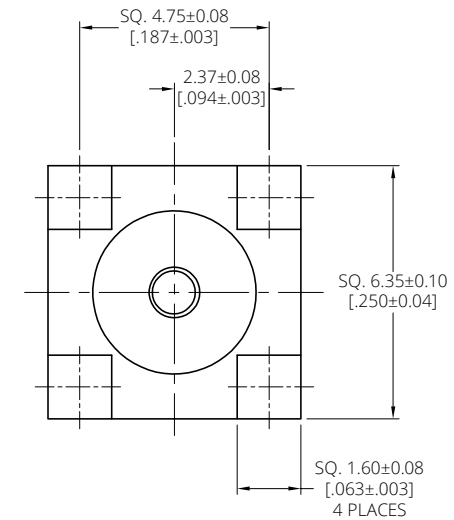
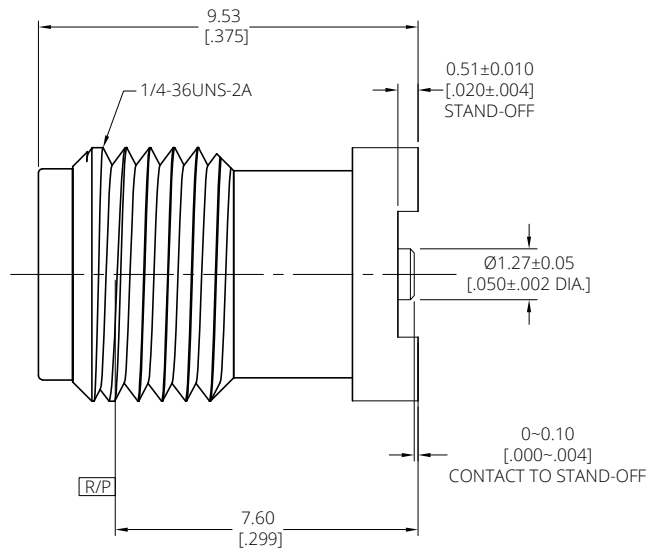
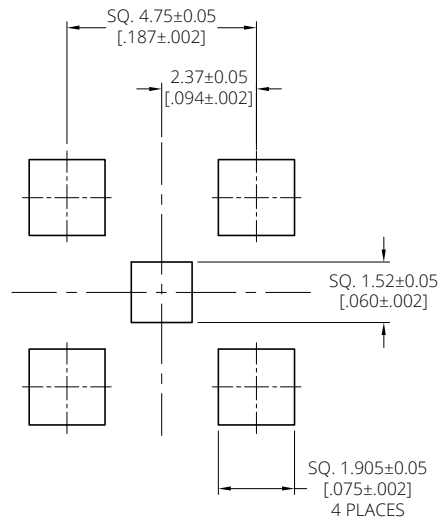
**MECHANICAL DATA:**

- 1 CONNECTOR DURABILITY: 500 CYCLES MIN.
- 2 CENTER CONTACT CAPTIVATION:  
AXIAL FORCE FROM INTERFACE: 6 POUNDS MIN.  
RADIAL TORQUE: 4 INCH-OUNCES MIN.

**ENVIRONMENTAL DATA:**

- 1 TEMPERATURE RANGE: -55°C~+125°C
- 2 2011/65/EU(RoHS) AND 2015/863/(RoHS): COMPLIANT
- 3 1907/2006/EC(REACH): COMPLIANT

REVISIONS			
REV.	DESCRIPTION	DATE	APPROVED
A	INITIAL RELEASE	08/29/24	J. Q



DRAWN	X. Y	DATE	08/29/24
CHECKED	W. Y	DATE	08/29/24
APPROVED	J. Q	DATE	08/29/24
UNLESS OTHERWISE SPECIFIED DIMENSIONS ARE IN MILLIMETERS, DIMENSIONS IN [ ] ARE IN INCHES FOR CUSTOMER REFERENCE ONLY UNLESS OTHERWISE SPECIFIED TOLERANCE ARE:		THESE DRAWINGS AND SPECIFICATIONS ARE THE PROPERTY OF ANOISON ELECTRONICS LTD AND SHOULD NOT BE USED WITHOUT WRITTEN PERMISSION COPYRIGHT © 2024 ANOISON ELECTRONICS LTD	
	XX	±0.13 [.005"]	
	X	±0.20 [.008"]	
	x	±0.50 [.019"]	
	X°	±1°	
	x°	±2°	



TITLE			
SMA FEMALE SOLDER ATTACHMENT SURFACE MOUNT PCB			
VIEW	PART NO. ANO 2112-4708		
	SIZE A3	SCALE 5:1	SHEET 1/1
			REV. A

4

3

2

1