

4 3 2 1

MATERIAL & FINISH:

- 1 BODY: BRASS, GOLD PLATED
- 2 CENTER CONTACT: BERYLLIUM COPPER ALLOY, GOLD PLATED
- 3 INSULATOR: PTFE
- 4 WASHER: BERYLLIUM COPPER ALLOY, GOLD PLATED
- 5 FASTENING NUT: BRASS, GOLD PLATED
- 6 O-RING: MVQ(SILICONE RUBBER)

ENVIRONMENTAL DATA:

- 1 TEMPERATURE RANGE: -55°C~+125°C
- 2 2011/65/EU(RoHS) AND 2015/863/(RoHS): COMPLIANT
- 3 1907/2006/EC(REACH): COMPLIANT

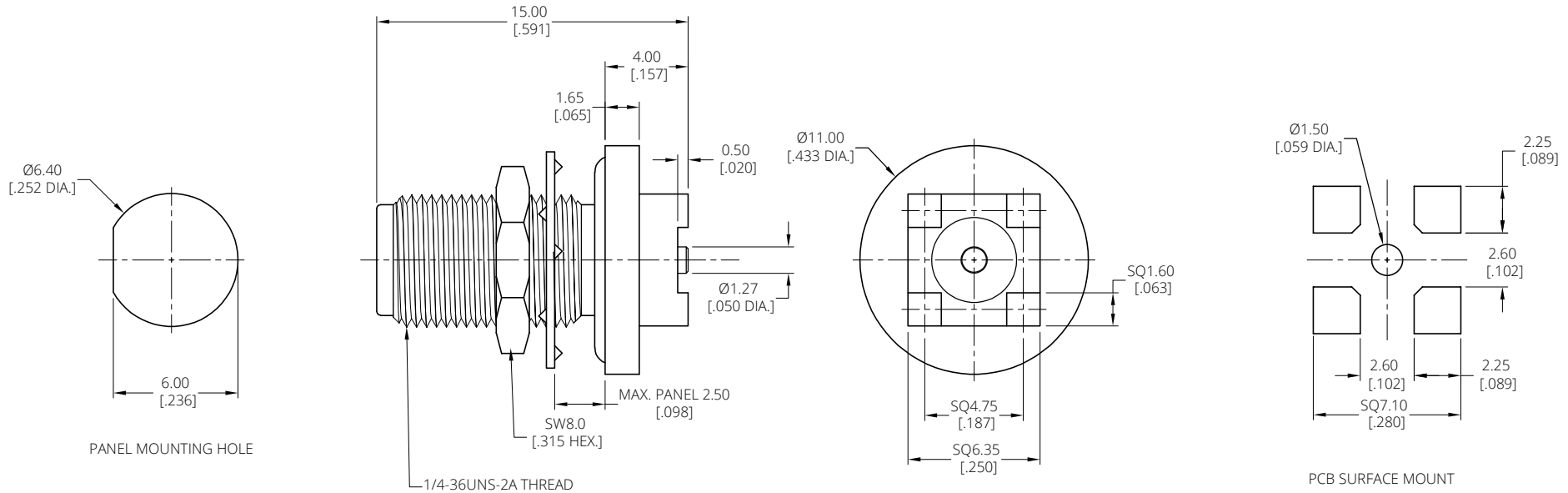
ELECTRICAL DATA:

- 1 IMPEDANCE: 50 Ω
- 2 FREQUENCY RANGE: DC~18 GHz
- 3 VSWR: 1.15+0.02f (GHz)
- 4 INSERTION LOSS: 0.05 X √fGHz

TRANSMISSION LINE INFO:

- 1 CONDUCTOR BACKED COPLANAR WAVEGUIDE
- 2 USING R04350B CIRCUIT MATERIALS
- 3 CONDUCTOR WIDTH = 0.548 [.02157] SPACE = 0.627 [.02469]
- 4 IMPEDANCE: 50 Ω

REVISIONS			
REV.	DESCRIPTION	DATE	APPROVED
A	INITIAL RELEASE	04/06/22	J. QU



DRAWN	W. YANG	DATE	04/06/22
CHECKED	L. YANG	DATE	04/06/22
APPROVED	J. QU	DATE	04/06/22
UNLESS OTHERWISE SPECIFIED DIMENSIONS ARE IN MILLIMETERS, DIMENSIONS IN [] ARE IN INCHES FOR CUSTOMER REFERENCE ONLY UNLESS OTHERWISE SPECIFIED TOLERANCE ARE:		THESE DRAWINGS AND SPECIFICATIONS ARE THE PROPERTY OF ANOISON ELECTRONICS LTD AND SHOULD NOT BE USED WITHOUT WRITTEN PERMISSION COPYRIGHT © 2022 ANOISON ELECTRONICS LTD	
XX	±0.13 [.005"]		
X	±0.20 [.008"]		
X	±0.50 [.019"]		
X*	±1°		
X*	±2°		



TITLE SMA FEMALE STRAIGHT BULKHEAD WATERPROOF, FOR PCB MOUNT			
VIEW	PART NO. ANO 2112-4622		
	SIZE A3	SCALE 5:1	SHEET 1/1
		REV. A	

4 3 2 1