

MATERIAL & FINISH:

- 1 BODY: BRASS, GOLD PLATED
- 2 CENTER CONTACT: BERYLLIUM COPPER ALLOY, GOLD PLATED
- 3 INSULATOR: PTFE & PEI

ENVIRONMENTAL DATA:

- 1 TEMPERATURE RANGE: -55°C~+125°C
- 2 2011/65/EU(RoHS) AND 2015/863/(RoHS): COMPLIANT
- 3 1907/2006/EC(REACH): COMPLIANT

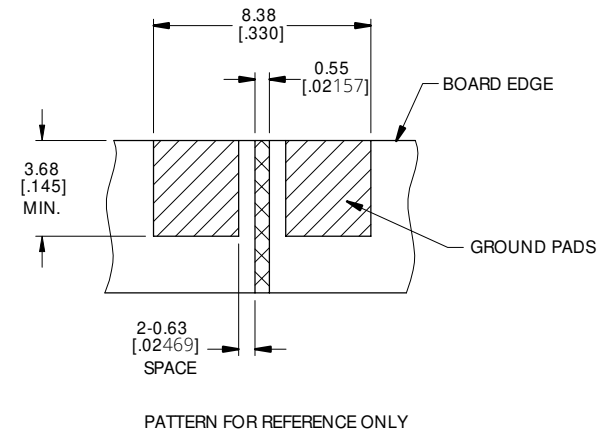
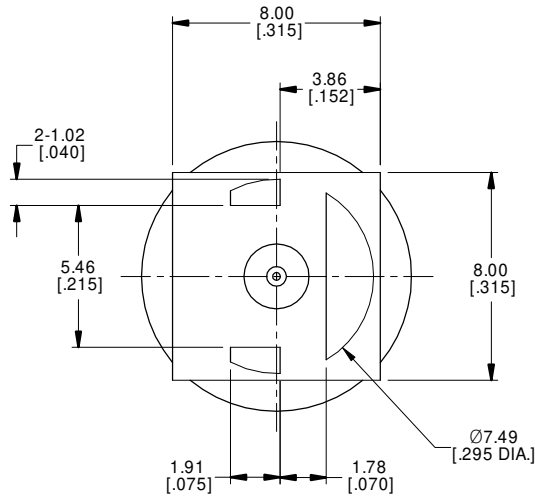
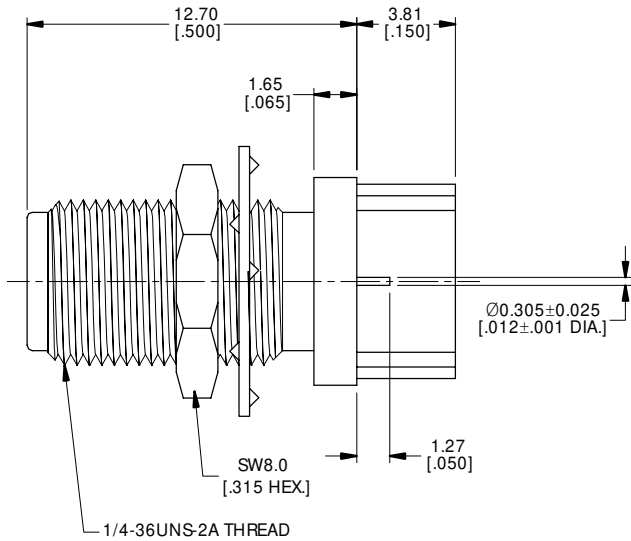
ELECTRICAL DATA:

- 1 IMPEDANCE: 50 Ω
- 2 FREQUENCY RANGE: DC~27 GHz
- 3 VSWR: 1.20 MAX.
- 4 INSERTION LOSS: 0.05 X √GHZ

TRANSMISSION LINE INFO:

- 1 CONDUCTOR BACKED COPLANAR WAVEGUIDE
- 2 USING R04350B CIRCUIT MATERIALS
- 3 CONDUCTOR WIDTH = 0.548 [.02157] SPACE = 0.627 [.02469]
- 4 IMPEDANCE: 50 Ω

REVISIONS			
REV.	DESCRIPTION	DATE	APPROVED
A	INITIAL RELEASE	08/08/21	J QU



DRAWN	X. B. YANG	DATE	08/08/21
CHECKED	L. YANG	DATE	08/08/21
APPROVED	J QU	DATE	08/08/21
UNLESS OTHERWISE SPECIFIED DIMENSIONS ARE IN MILLIMETERS, DIMENSIONS IN [] ARE IN INCHES FOR CUSTOMER REFERENCE ONLY UNLESS OTHERWISE SPECIFIED TOLERANCE ARE:		THESE DRAWINGS AND SPECIFICATIONS ARE THE PROPERTY OF ANOISON ELECTRONICS LTD AND SHOULD NOT BE USED WITHOUT WRITTEN PERMISSION COPYRIGHT © 2021 ANOISON ELECTRONICS LTD	
	.XX	±0.13 [.005"]	
	.X	±0.20 [.008"]	
	X	±0.50 [.019"]	
	.X°	±1°	
	X°	±2°	



TITLE
SMA FEMALE BULKHEAD, .065 BOARD THICKNESS
PCB EDGE MOUNT, POST CONTACT

VIEW	PART NO. ANO 2112-4605		
	SIZE A3	SCALE 5:1	SHEET 1/1
			REV. A