

MATERIAL & FINISH:

- 1 BODY: BRASS, GOLD PLATED
- 2 CENTER CONTACT: BERYLLIUM COPPER ALLOY, GOLD PLATED
- 3 INSULATOR: PTFE

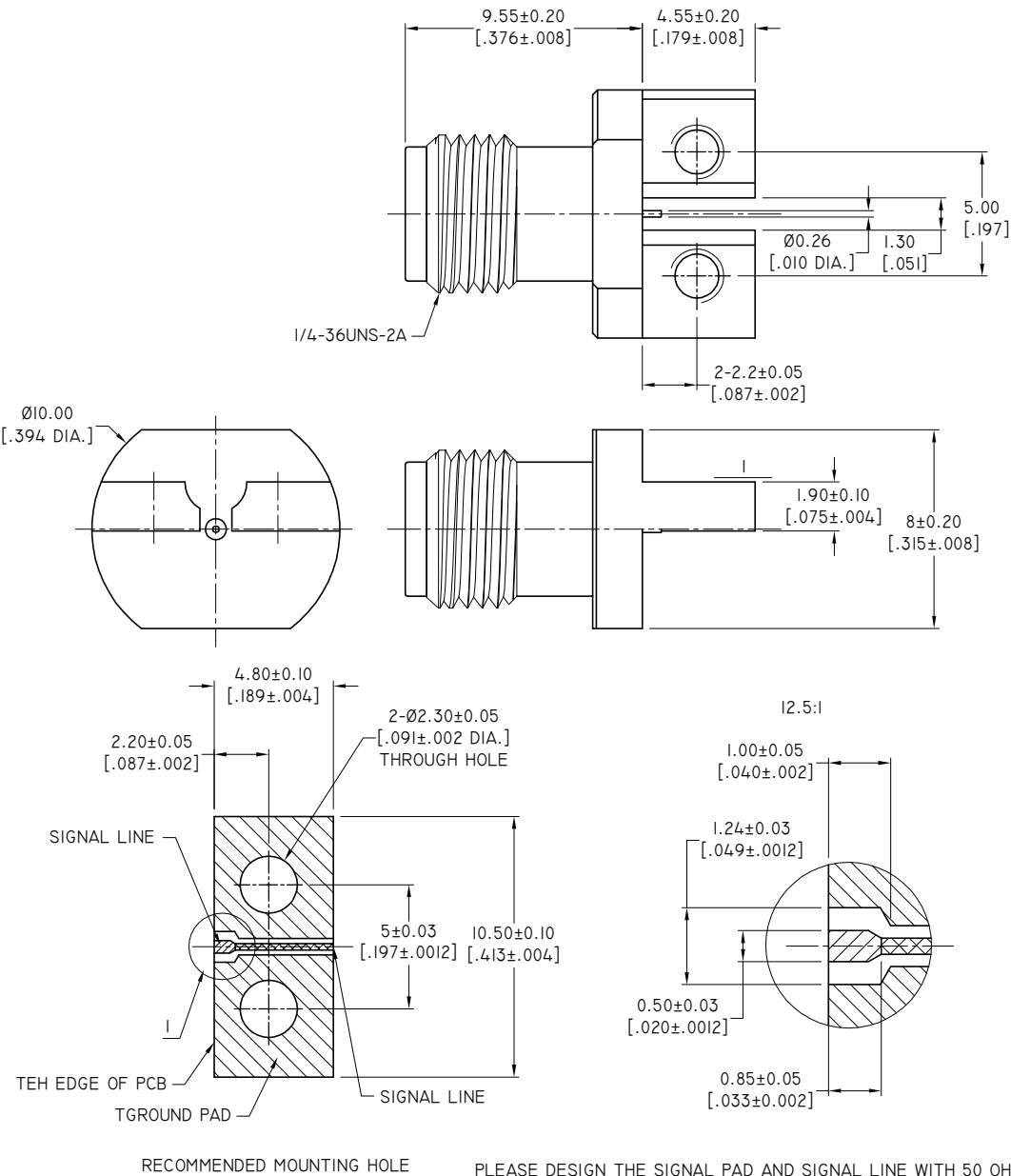
ENVIRONMENTAL DATA:

- 1 TEMPERATURE RANGE: -55 °C~+125 °C
- 2 2015/863/(RoHS): COMPLIANT
- 3 1907/2006/EC(REACH) AND 1999/45/EC(REACH): COMPLIANT

ELECTRICAL DATA:

- 1 IMPEDANCE: 50 OHMS
- 2 FREQUENCY RANGE: DC~28 GHz
- 3 VSWR: 1.40 MAX. DC~20 GHz
1.70 MAX. 20~28 GHz

REVISIONS			
REV.	DESCRIPTION	DATE	APPROVED
A	INITIAL RELEASE	03/04/20	J. QU

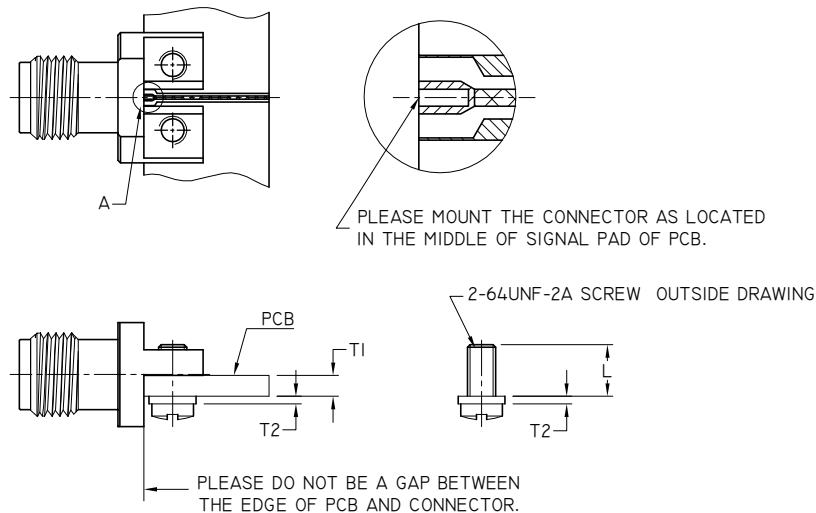


NOTES:

- 1. WHEN THE MATING CONNECTOR, PLAEASE HOLD MILLING AREA OF 8 ± 0.20 [$.315 \pm .008$] WITH A WRENCH.
- 2. 2-64UNF-2B SCREW TIGHTENING TORQUE IS 0.23 N.M
- 3. PLEASE USE A PCB MOUNTING SCREW OF THE LENGTH OF L.
THE LENGTH OF L IS PCB THICKNESS T1 + SPRING WASHER THICKENSS T2 + 2 [$.079$].
PLEASE USE A SCREW WITH SPRING WASHER.

MOUNTING OF CONNECTOR

- 1. WHEN THE CONNECTOR IS MOUNTED ON PCB, PLEASE DO NOT BE A GAP BETWEEN THE EDGE OF PCB AND CONNECTOR.
- 2. PLEASE MOUNT THE CONNECTOR AS LOCATED IN THE MIDDLE OF THE SIGNAL PAD OF PCB.
- 3. SOLDERING CONDITIONS:
FOR THE MANUAL SOLDERING, SOLDERING IRON BIT TEMPERATRUUE IS 380 °C MAX. FOR 5 SECONDS MAX.



DRAWN	X. B. YANG	DATE	03/04/20
CHECKED	W. YANG	DATE	03/04/20
APPROVED	J. QU	DATE	03/04/20
UNLESS OTHERWISE SPECIFIED DIMENSIONS ARE IN MILLIMETERS, DIMENSIONS IN [] ARE IN INCHES FOR CUSTOMER REFERENCE ONLY UNLESS OTHERWISE SPECIFIED TOLERANCE ARE:		THESE DRAWINGS AND SPECIFICATIONS ARE THE PROPERTY OF ANOISON ELECTRONICS LTD AND SHOULD NOT BE USED WITHOUT WRITTEN PERMISSION COPYRIGHT © 2020 ANOISON ELECTRONICS LTD	
.XX	± 0.08 [$.003$ "]		
.X	± 0.20 [$.008$ "]		
X°	± 0.50 [$.019$ "]		
.X°	$\pm 1^\circ$		
X°	$\pm 2^\circ$		



TITLE			
SMA FEMALE END LAUNCH, PCB MOUNT, 10 MIL PIN			
VIEW		PART NO.	
		ANO 2112-4565	
SIZE	SCALE	SHEET	REV.
A3	5:1	I/I	A