

REVISIONS			
REV.	DESCRIPTION	DATE	APPROVED
A	INITIAL RELEASE	07/15/19	J. Q
B	FREQUENCY 26.5 GHZ WAS 18 GHZ	12/10/24	J. Q

**MATERIAL & FINISH:**

- 1 BODY: BRASS, GOLD PLATED
- 2 CENTER CONTACT: BERYLLIUM COPPER ALLOY, GOLD PLATED
- 3 INSULATOR: PTFE

**MECHANICAL DATA:**

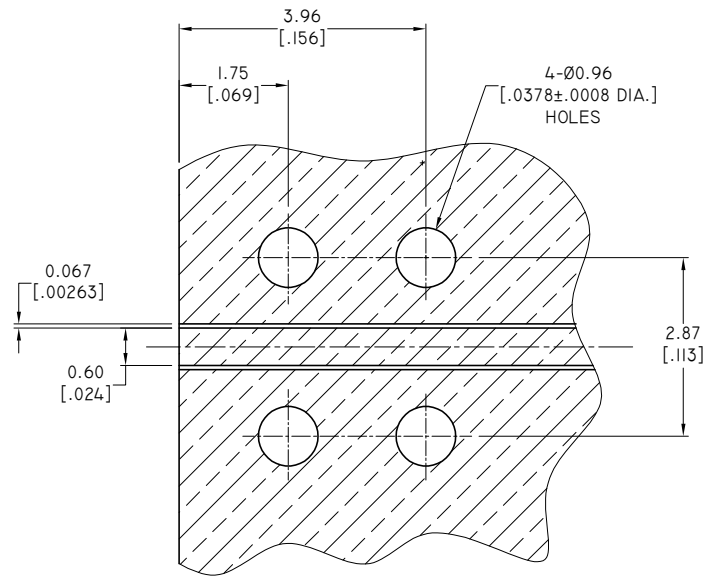
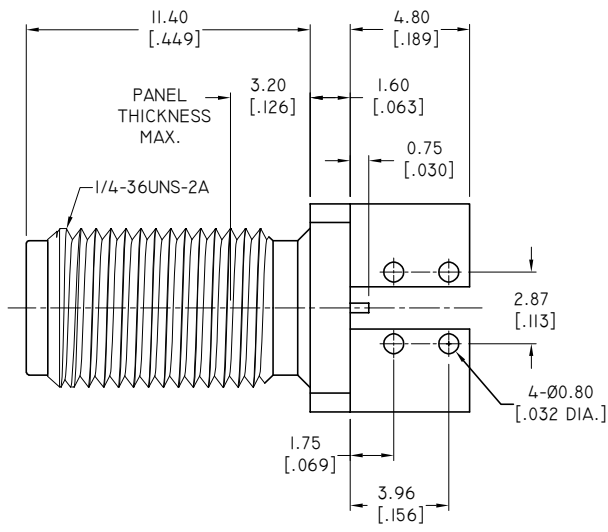
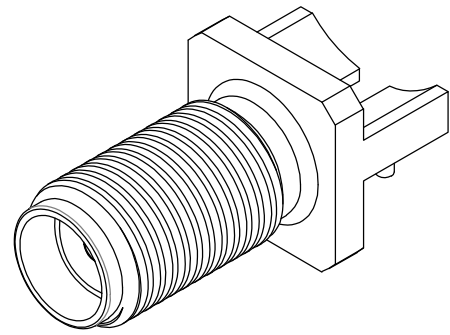
- 1 CONTACT RETENTION: 18 N MIN
- 2 DURABILITY: 100 CYCLES MIN.
- 3 WEIGHT: 2.7 G

**ELECTRICAL DATA:**

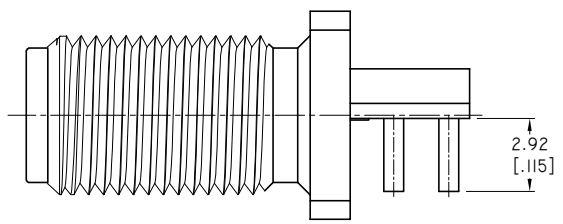
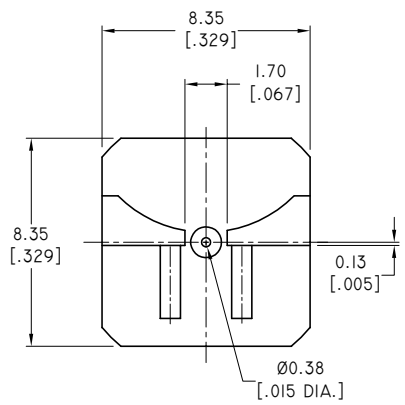
- 1 IMPEDANCE: 50 OHMS
- 2 FREQUENCY RANGE: DC~26.5 GHZ
- 3 DIELECTRIC W/V: 750 VEFF
- 4 INSULATION RES: 5000 M-OHM
- 5 VSWR: 1.50 MAX.

**ENVIRONMENTAL DATA:**

- 1 OPERATING TEMPERATURE: -55°C~+125°C
- 2 2015/863/(ROHS): COMPLIANT
- 3 I907/2006/EC(REACH) AND 1999/45/EC(REACH): COMPLIANT



2.5:1  
RECOMMENDED MOUNTING HOLE  
BASED ON ER=4.2 [.165], PCB THICKNESS=1.6 [.063]



DRAWN	X. Y	DATE	12/10/24
CHECKED	W. Y	DATE	12/10/24
APPROVED	J. Q	DATE	12/10/24
UNLESS OTHERWISE SPECIFIED DIMENSIONS ARE IN MILLIMETERS, DIMENSIONS IN [ ] ARE IN INCHES FOR CUSTOMER REFERENCE ONLY UNLESS OTHERWISE SPECIFIED TOLERANCE ARE:		THESE DRAWINGS AND SPECIFICATIONS ARE THE PROPERTY OF ANOISON ELECTRONICS LTD AND SHOULD NOT BE USED WITHOUT WRITTEN PERMISSION COPYRIGHT © 2024 ANOISON ELECTRONICS LTD	
.XX	±0.08 [.003"]		
.X	±0.20 [.008"]		
X	±0.50 [.019"]		
.X°	±1°		
X°	±2°		

TITLE  
SMA FEMALE END LAUNCH, PCB MOUNT, 15 MIL PIN

VIEW

PART NO.  
ANO 2112-4534

SIZE	SCALE	SHEET	REV.
A3	5:1	I/1	B

D  
C  
B  
A

D  
C  
B  
A

4 3 2 1

4 3 2 1