

MATERIAL & FINISH:

- 1 BODY: BRASS, SEE TABLE
- 2 CENTER CONTACT: BERYLLIUM COPPER ALLOY, GOLD PLATED
- 3 INSULATOR: PTFE

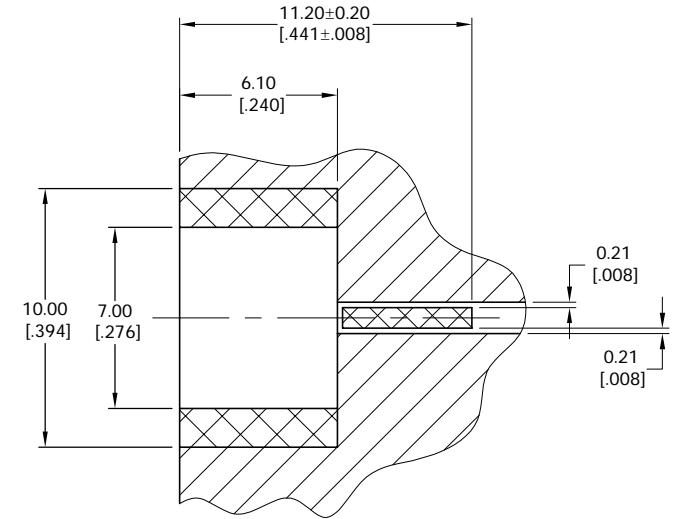
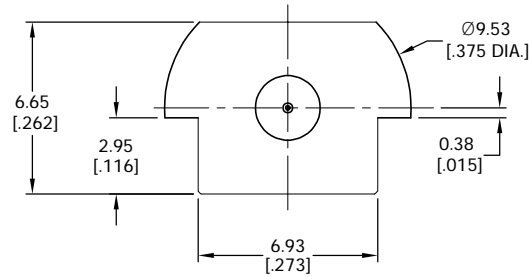
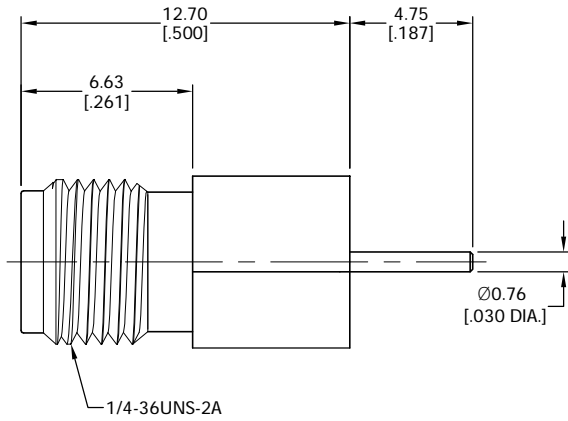
ELECTRICAL DATA:

- 1 IMPEDANCE: 50 Ω
- 2 FREQUENCY RANGE: DC - 18 GHz
- 3 WITHSTANDING VOLTAGE: 1000 VRMS MAX.

ENVIRONMENTAL DATA:

- 1 TEMPERATURE RANGE: -55°C ~ +125°C
- 2 2011/65/EU(RoHS) AND 2015/863/(RoHS): COMPLIANT
- 3 REACH SVHC247: COMPLIANT

REVISIONS			
REV.	DESCRIPTION	DATE	APPROVED
A	INITIAL RELEASE	05/05/19	J. Q
B	1. 6.63 [.261] WAS 5.82 [.229] 2. 4.75 [.187] WAS 4.95 [.195] 3. 6.50 [.256] DELETED 4. 12.70 [.500] ADDED	08/07/25	J. Q
C	ANO 2112-4527-1 ADDED	08/08/25	J. Q



RECOMMENDED MOUNTING HOLE

PART NO.	PART	FINISH
ANO 2112-4527	BODY	GOLD
ANO 2112-4527-1		NICKEL

DRAWN X. Y	DATE 08/08/25	
CHECKED W. Y	DATE 08/08/25	
APPROVED J. Q	DATE 08/08/25	
<small>UNLESS OTHERWISE SPECIFIED DIMENSIONS ARE IN MILLIMETERS. DIMENSIONS IN [] ARE IN INCHES FOR CUSTOMER REFERENCE ONLY UNLESS OTHERWISE SPECIFIED TOLERANCE ARE:</small>		TITLE SMA END LAUNCH FEMALE SURFACE MOUNT ROUND POST CONTACT
<small>THESE DRAWINGS AND SPECIFICATIONS ARE THE PROPERTY OF ANOISON ELECTRONICS LTD AND SHOULD NOT BE USED WITHOUT WRITTEN PERMISSION COPYRIGHT © 2025 ANOISON ELECTRONICS LTD</small>		VIEW
		PART NO. ANO 2112-4527
SIZE A3	SCALE 5:1	SHEET 1/1
		REV. C