

4

3

2

1

1.0 MATERIAL

- 1.1 BODY: BERYLLIUM COPPER ALLOY
- 1.2 CENTER CONTACT: BERYLLIUM COPPER ALLOY
- 1.3 INSULATOR: PEI/PTFE

2.0 FINISH:

- 2.1 CENTER CONDUCTORS, BODY AND SOLDER COMPONENTS SHALL BE PLATED MIL-G-45204 TYPE II, CLASS I OVER NICKEL PLATE PER QQ-N-290

MECHANICAL DATA:

- 1 MATING CYCLE: 500
- 2 RECOMMENDED MATING TROUQUE: 0.9~1.13 NM
- 3 PROOF TORQUE: 1.7 NM
- 4 COUPLING NUT RETENTION FORCE: 270 N
- 5 CENTER CONTACT RETENTION FORCE: 2.6 POUND (AXIAL)

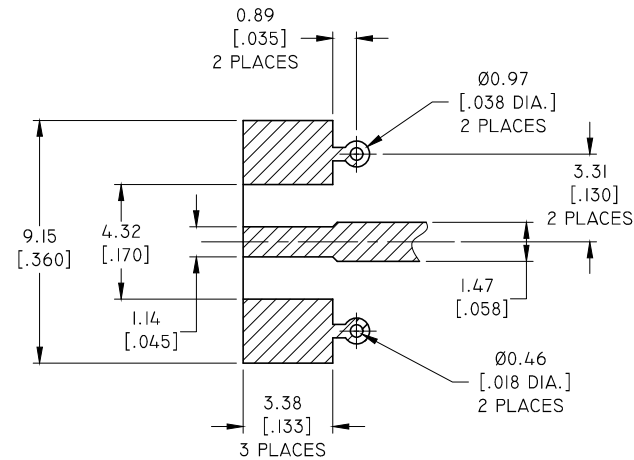
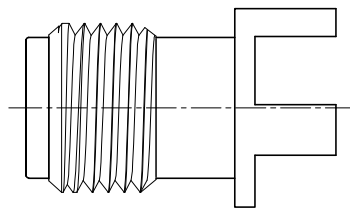
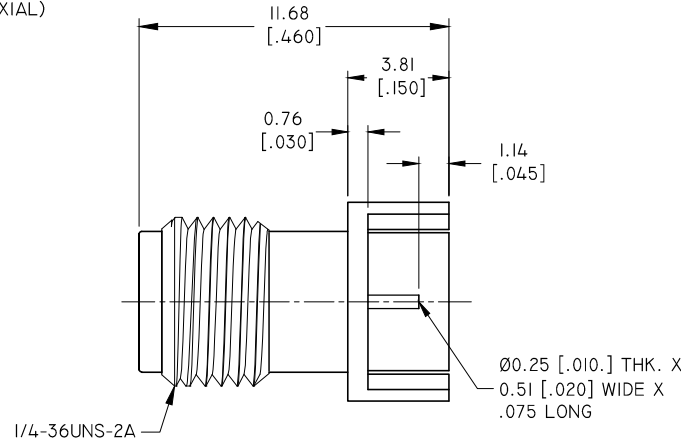
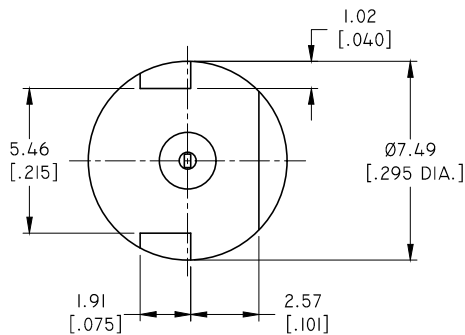
ELECTRICAL DATA:

- 1 IMPEDANCE: 50 OHMS
- 2 FREQUENCY RANGE: DC~27 GHz
- 3 VSWR: 1.20 MAX. AT DC~18 GHz
1.30 MAX. AT 18~26.5 GHz
- 4 INSERTION LOSS: 0.4 DB MAX. AT DC~26.5GHz
- 5 INSULATION RESISTANCE: 5000 MΩ
- 7 DIELECTRIC WITHSTAND VOLTAGE: 1000 VRMS MAX.

ENVIRONMENTAL DATA:

- 1 TEMPERATURE RANGE: -55°C~+125°C
- 2 2011/65/EU (RoHS): COMPLIANT

REVISIONS			
REV.	DESCRIPTION	DATE	APPROVED
A	INITIAL RELEASE	06/08/18	J. QU
B	BODY MATERIAL CHANGED	05/05/19	J. QU



RECOMMENDED PCB LAYOUT BOARD THICKNESS 2.41 [.095]

DRAWN	W. YANG	DATE	05/05/19
CHECKED	X. B. YANG	DATE	05/05/19
APPROVED	J. QU	DATE	05/05/19
UNLESS OTHERWISE SPECIFIED DIMENSIONS ARE IN MILLIMETERS. DIMENSIONS IN [] ARE IN INCHES FOR CUSTOMER REFERENCE ONLY UNLESS OTHERWISE SPECIFIED TOLERANCE ARE:		THESE DRAWINGS AND SPECIFICATIONS ARE THE PROPERTY OF ANOISON ELECTRONICS LTD AND SHOULD NOT BE USED WITHOUT WRITTEN PERMISSION COPYRIGHT © 2019 ANOISON ELECTRONICS LTD	
.XX	±0.13 [.005"]		
.X	±0.20 [.008"]		
X	±0.50 [.019"]		
.X°	±1°		
X°	±2°		



TITLE				
SMA END LAUNCH FEMALE FOR .095 PCB RECEPTACLE-TAB CONTACT				
VIEW		PART NO.		
		ANO 2112-4498		
SIZE	SCALE	SHEET	REV.	
A3	5:1	1/1	B	

4

3

2

1