

4 3 2 1

REVISIONS

REV.	DESCRIPTION	DATE	APPROVED
A	INITIAL RELEASE	09/13/17	J. QU

MATERIAL & FINISH:

- 1 BODY: BRASS, GOLD PLATED
- 2 CENTER CONTACT: BERYLLIUM COPPER ALLOY, GOLD PLATED
- 3 INSULATOR: PTFE/PEI

ELECTRICAL DATA:

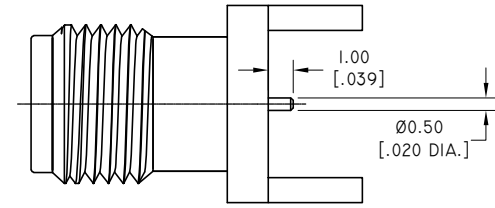
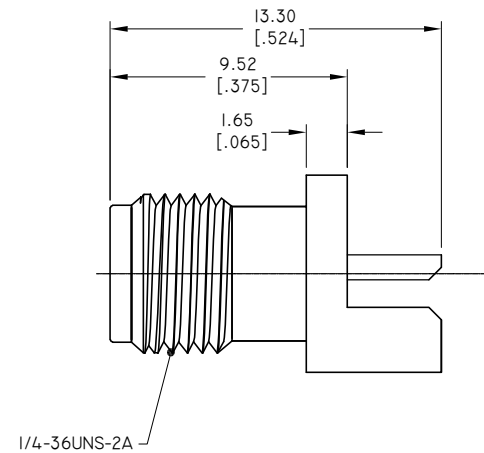
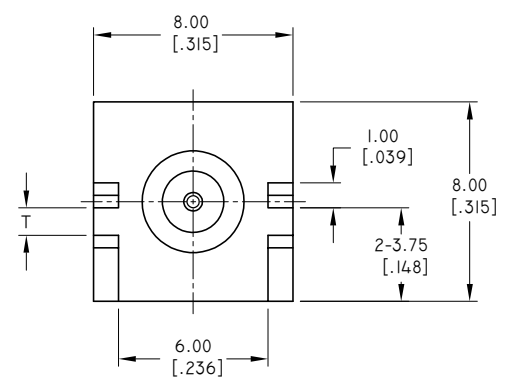
- 1 IMPEDANCE: 50 OHMS
- 2 FREQUENCY RANGE: DC~26.5 GHZ
- 3 VSWR: 1.20 MAX. AT DC~18 GHZ
1.30 MAX. AT 18~26.5 GHZ
- 4 INSERTION LOSS: 0.4 DB MAX. AT DC~26.5GHZ
- 5 RF LEAKAGE: -90 DB
- 6 INSULATION RESISTANCE: 5000 MΩ
- 7 DIELECTRIC WITHSTAND VOLTAGE: 1000 VRMS MAX.

ENVIRONMENTAL DATA:

- 1 TEMPERATURE RANGE: -55°C~+125°C
- 2 2011/65/EU (RoHS): COMPLIANT

MECHANICAL DATA:

- 1 MATING CYCLE: 500
- 2 RECOMMENDED MATING TROUQUE: 0.9~1.13 NM
- 3 PROOF TORQUE: 1.7 NM
- 4 COUPLING NUT RETENTION FORCE: 270 N
- 5 CENTER CONTACT RETENTION FORCE: 2.6 POUND (AXIAL)



PART NO.	T
ANO 2112-4473-00	0.60 [.024]
ANO 2112-4473-01	0.80 [.031]
ANO 2112-4473-02	1.00 [.039]
ANO 2112-4473-03	1.10 [.043]
ANO 2112-4473-04	1.20 [.047]
ANO 2112-4473-05	1.30 [.051]
ANO 2112-4473-06	1.50 [.059]
ANO 2112-4473-07	1.60 [.063]
ANO 2112-4473-08	1.73 [.068]
ANO 2112-4473-09	2.10 [.083]
ANO 2112-4473-10	2.25 [.089]

DRAWN	W. YANG	DATE	09/13/17
CHECKED	X.B. YANG	DATE	09/13/17
APPROVED	J. QU	DATE	09/13/17
UNLESS OTHERWISE SPECIFIED DIMENSIONS ARE IN MILLIMETERS. DIMENSIONS IN [] ARE IN INCHES FOR CUSTOMER REFERENCE ONLY UNLESS OTHERWISE SPECIFIED TOLERANCE ARE:		THESE DRAWINGS AND SPECIFICATIONS ARE THE PROPERTY OF ANOISON ELECTRONICS LTD AND SHOULD NOT BE USED WITHOUT WRITTEN PERMISSION COPYRIGHT © 2017 ANOISON ELECTRONICS LTD	
.XX	±0.13 [.005"]		
.X	±0.20 [.008"]		
X	±0.50 [.019"]		
.X°	±1°		
X°	±2°		



TITLE
SMA STRAIGHT FEMALE EDGE MOUNT BOARD THICKNESS PCB

VIEW	PART NO. ANO 2112-4473			
	SIZE A3	SCALE 5:1	SHEET 1/1	REV. A

4 3 2 1