

4

3

2

1

**1.0 MATERIAL**

- 1.1 BODY: BERYLLIUM COPPER ALLOY
- 1.2 CENTER CONTACT: BERYLLIUM COPPER ALLOY
- 1.3 INSULATOR: PEI/PTFE

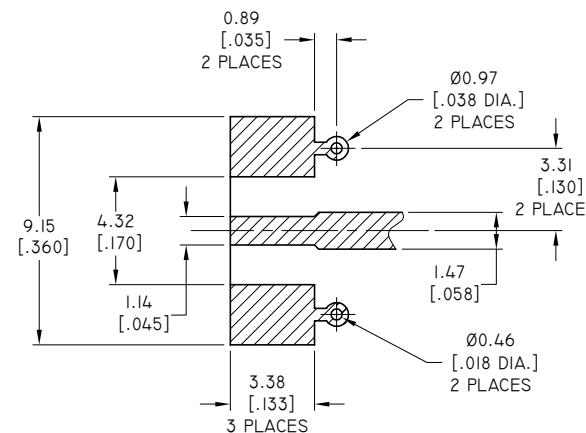
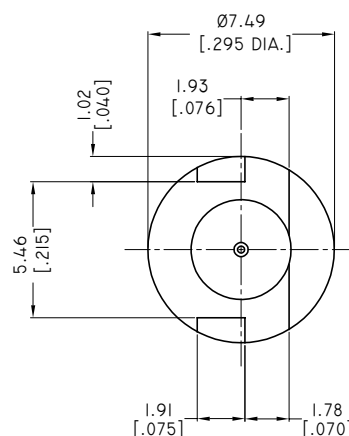
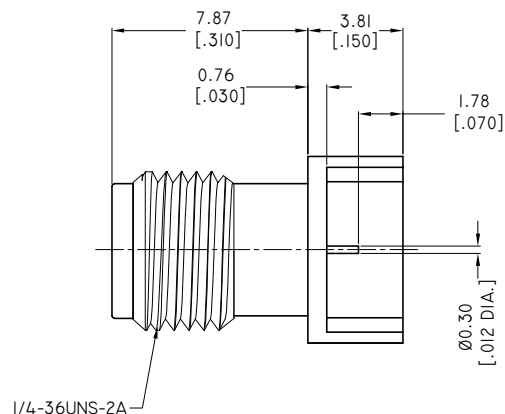
**2.0 FINISH:**

- 2.1 CENTER CONDUCTORS, BODY AND SOLDER COMPONENTS SHALL BE PLATED MIL-G-45204 TYPE II, CLASS I OVER NICKEL PLATE PER QQ-N-290

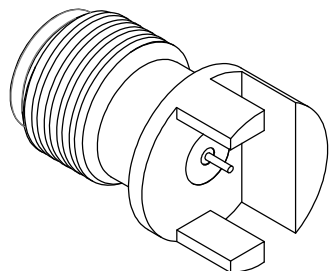
**3.0 ELECTRICAL SPECIFICATIONS:**

- 3.1 IMPEDANCE: 50 Ω
- 3.2 FREQUENCY RANGE: DC-27GHZ
- 3.3 VSWR: 1.20 MAX.
- 3.4 INSERTION LOSS: 0.05 √F(GHZ)
- 4.0 **ENVIRONMENTAL DATA:**
- 4.1 TEMPERATURE RANGE: -55°C~+125°C
- 4.2 CONTACT TORQUE: 4.0 INCH-OUNCES MIN.
- 4.3 COUPLING NUT MATING TORQUE: 8-10 INCH-LBS
- 4.4 DURABILITY: 500 CYCLES MIN.
- 4.5 2011/65/EU(RoHS) AND 2015/863/(RoHS): COMPLIANT
- 4.6 1907/2006/EC(REACH) AND 1999/45/EC(REACH): COMPLIANT

REVISIONS			
REV.	DESCRIPTION	DATE	APPROVED
D	STRUCTURE & TEMPERATURE RANGE CHANGED	10/12/13	J. QU
E	TEMPERATURE RANGE CHANGED	10/12/13	J. QU
F	DRAWING FORMAT CHANGED	07/17/18	J. QU
G	PCB LAYOUT ADDED	04/22/19	J. QU
H	BODY MATERIAL CHANGED	05/05/19	J. QU
I	ADDED 3D DRAWING	08/31/23	J. QU



RECOMMENDED PCB LAYOUT  
BOARD THICKNESS 1.57 [.062]



DRAWN	W. Y	DATE	08/31/23
CHECKED	X. Y	DATE	08/31/23
APPROVED	J. Q	DATE	08/31/23
UNLESS OTHERWISE SPECIFIED DIMENSIONS ARE IN MILLIMETERS, DIMENSIONS IN [ ] ARE IN INCHES FOR CUSTOMER REFERENCE ONLY UNLESS OTHERWISE SPECIFIED TOLERANCE ARE:		THESE DRAWINGS AND SPECIFICATIONS ARE THE PROPERTY OF ANOISON ELECTRONICS LTD AND SHOULD NOT BE USED WITHOUT WRITTEN PERMISSION COPYRIGHT © 2023 ANOISON ELECTRONICS LTD	
.XX	±0.13 [.005"]		
.X	±0.20 [.008"]		
X	±0.50 [.019"]		
.X°	±1°		
X°	±2°		

TITLE SMA JACK PCB MOUNT FOR .062" BOARD			
VIEW		PART NO. ANO 2112-4285	
		SIZE A3	SCALE 5:1
		SHEET 1/1	REV. 1

4

3

2

1