

MATERIAL & FINISH:

- 1 BODY: BRASS, SEE TABLE
- 2 CENTER CONTACT: BERYLLIUM COPPER ALLOY, GOLD PLATED
- 3 FASTENING NUT: BRASS, SEE TABLE
- 4 INSULATOR: PTFE
- 5 LOCK WASHER: PHOSPHOR BRONZE, SEE TABLE

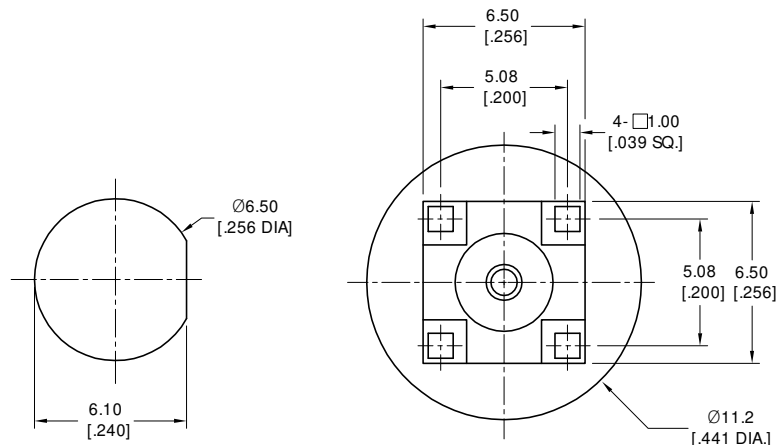
ELECTRICAL DATA:

- 1 IMPEDANCE: 50 Ω
- 2 FREQUENCY RANGE: DC~18 GHz
- 3 VSWR: 1.30 MAX.
- 4 IP RATING: IP 67

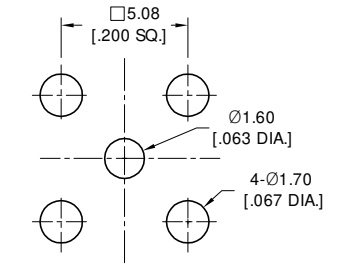
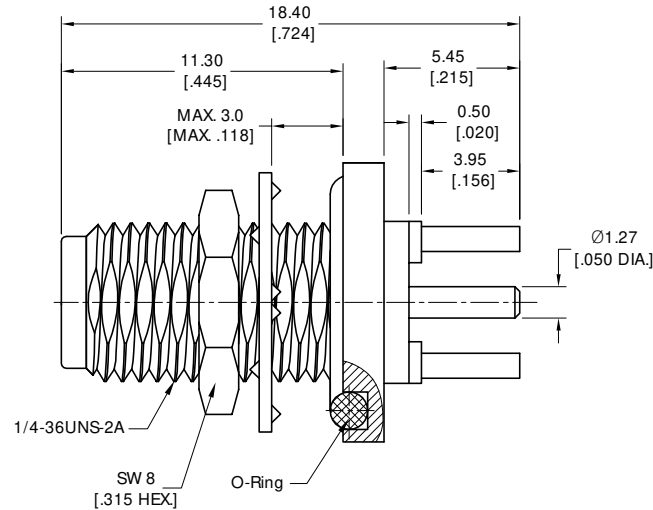
ENVIRONMENTAL DATA:

- 1 TEMPERATURE RANGE: -55 °C~+165 °C
- 2 2011/65/EU (RoHS) AND 2015/863/(RoHS): COMPLIANT
- 3 1999/45/EC (REACH): COMPLIANT

REVISIONS			
REV.	DESCRIPTION	DATE	APPROVED
A	INITIAL RELEASE	04/15/11	J QU
B	DRAWING FORMAT CHANGED	12/10/20	J QU



RECOMMENDED MOUNTING HOLE



RECOMMENDED PCB LAYOUT

TABLE

PART NO.	PART	FINISH
ANO 2112-4143-1	BODY	GOLD
	FASTENING NUT	GOLD
	LOCK WASHER	GOLD
ANO 2112-4143-2	BODY	NICKEL
	FASTENING NUT	NICKEL
	LOCK WASHER	NICKEL

DRAWN	P. CHEN	DATE	12/10/20
CHECKED	X. B. YANG	DATE	12/10/20
APPROVED	J QU	DATE	12/10/20
UNLESS OTHERWISE SPECIFIED DIMENSIONS ARE IN MILLIMETERS, DIMENSIONS IN [] ARE IN INCHES FOR CUSTOMER REFERENCE ONLY UNLESS OTHERWISE SPECIFIED TOLERANCE ARE:		THESE DRAWINGS AND SPECIFICATIONS ARE THE PROPERTY OF ANOISON ELECTRONICS LTD AND SHOULD NOT BE USED WITHOUT WRITTEN PERMISSION COPYRIGHT © 2020 ANOISON ELECTRONICS LTD	
XX	±0.13 [005"]		
X	±0.20 [008"]		
X	±0.50 [019"]		
X"	±1°		
X"	±2°		



TITLE			
SMA STRAIGHT BULKHEAD WATERPROOF FEMALE FOR PCB			
VIEW	PART NO.		
	ANO 2112-4143		
SIZE	SCALE	SHEET	REV.
A3	5:1	1/1	B