

4

3

2

1

MATERIAL & FINISH:

- 1 BODY: BRASS, GOLD PLATED
- 2 CENTER CONTACT: BERYLLIUM COPPER ALLOY, GOLD PLATED
- 3 INSULATOR: PTFE

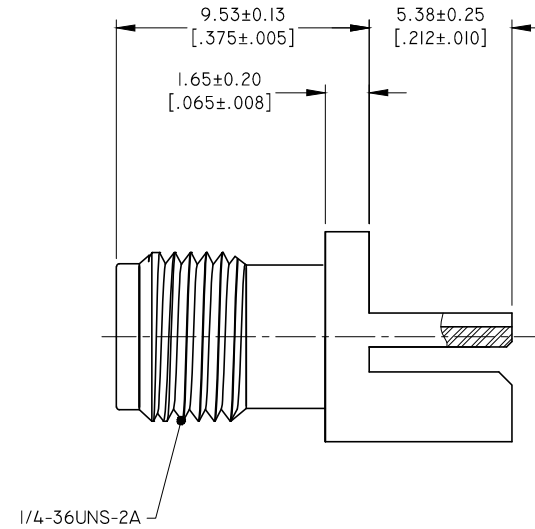
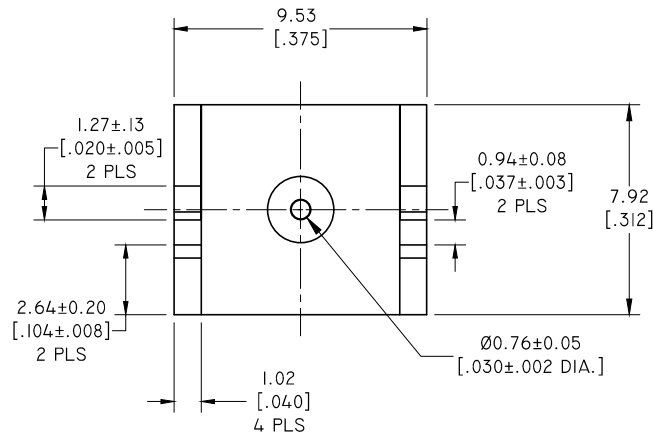
ELECTRICAL DATA:

- 1 IMPEDANCE: 50 OHMS
- 2 FREQUENCY RANGE: DC~18 GHZ
- 3 WITHSTANDING VOLTAGE: 1000 VRMS MIN.
- 4 VOLTAGE: 335 VRMS AT SEA LEVEL
- 5 DURABILITY: >200 CYCLES

ENVIRONMENTAL DATA:

- 1 TEMPERATURE RANGE: -65°C~+165°C
- 2 2011/65/EU (RoHS): COMPLIANT

REVISIONS			
REV.	DESCRIPTION	DATE	APPROVED
A	INITIAL RELEASE	01/26/10	J. QU
B	DRAWING FORMAT CHANGED	06/17/19	J. QU



DRAWN	L. YANG	DATE	06/17/19
CHECKED	P. CHEN	DATE	06/17/19
APPROVED	J. QU	DATE	06/17/19
UNLESS OTHERWISE SPECIFIED DIMENSIONS ARE IN MILLIMETERS. DIMENSIONS IN [] ARE IN INCHES FOR CUSTOMER REFERENCE ONLY UNLESS OTHERWISE SPECIFIED TOLERANCE ARE:		THESE DRAWINGS AND SPECIFICATIONS ARE THE PROPERTY OF ANOISON ELECTRONICS LTD AND SHOULD NOT BE USED WITHOUT WRITTEN PERMISSION COPYRIGHT © 2019 ANOISON ELECTRONICS LTD	
.XX	+0.13 [.005"]		
.X	+0.20 [.008"]		
X	+0.50 [.019"]		
.X°	±1°		
X°	±2°		



TITLE			
SMA STRAIGHT FEMALE EDGE MOUNT FOR .037 BOARD THICKNESS PCB			
VIEW	PART NO.		
	ANO 2112-4084		
SIZE	SCALE	SHEET	REV.
A3	5:1	1/1	B