

4

3

2

1

MATERIAL & FINISH:

- 1 BODY: BRASS, GOLD PLATED
- 2 CENTER CONTACT: BERYLLIUM COPPER ALLOY, GOLD PLATED
- 3 INSULATOR: PTFE

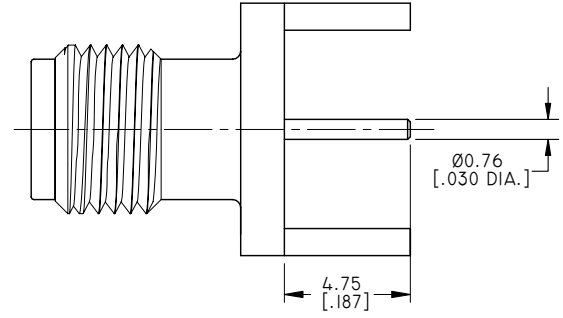
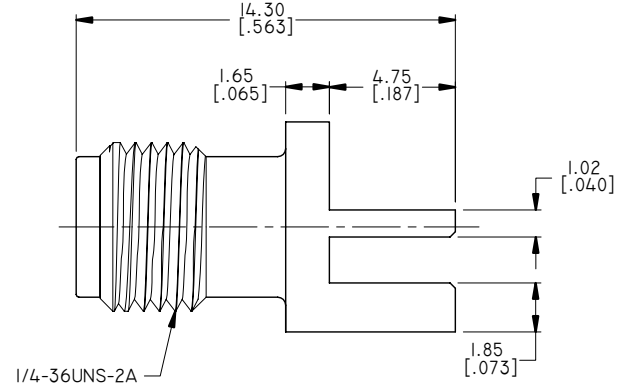
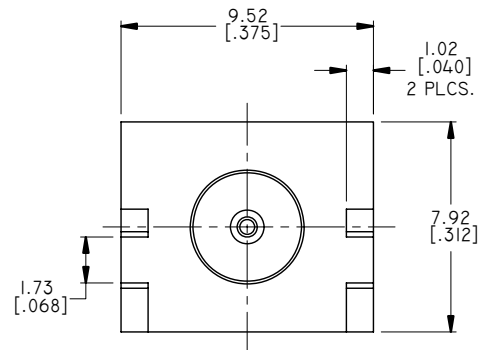
ELECTRICAL DATA:

- 1 IMPEDANCE: 50 OHMS
- 2 FREQUENCY RANGE: DC~18 GHZ
- 3 INSULATION RESISTANCE: 5000 MΩ
- 4 DIELECTRIC WITHSTAND VOLTAGE: 1000 VRMS MAX.

ENVIRONMENTAL DATA:

- 1 TEMPERATURE RANGE: -55°C~+125°C
- 2 2011/65/EU (RoHS): COMPLIANT

REVISIONS			
REV.	DESCRIPTION	DATE	APPROVED
A	INITIAL RELEASE	05/06/09	J. QU
B	DRAWING FORMAT CHANGED	04/17/18	J. QU



DRAWN	X.B. YANG	DATE	04/17/18
CHECKED	W. YANG	DATE	04/17/18
APPROVED	J. QU	DATE	04/17/18
UNLESS OTHERWISE SPECIFIED DIMENSIONS ARE IN MILLIMETERS, DIMENSIONS IN [] ARE IN INCHES FOR CUSTOMER REFERENCE ONLY UNLESS OTHERWISE SPECIFIED TOLERANCE ARE:		THESE DRAWINGS AND SPECIFICATIONS ARE THE PROPERTY OF ANOISON ELECTRONICS LTD AND SHOULD NOT BE USED WITHOUT WRITTEN PERMISSION COPYRIGHT © 2018 ANOISON ELECTRONICS LTD	
.XX	±0.13 [0.005"]		
.X	±0.20 [0.008"]		
X	±0.50 [0.019"]		
.X°	±1°		
X°	±2°		



TITLE SMA STRAIGHT FEMALE END LAUNCH RECEPTACLE BOARD THICKNESS 1.57 [0.062]			
VIEW 		PART NO. ANO 2112-4065	
SIZE A3	SCALE 5:1	SHEET 1/1	REV. B

4

3

2

1