

MATERIAL & FINISH:

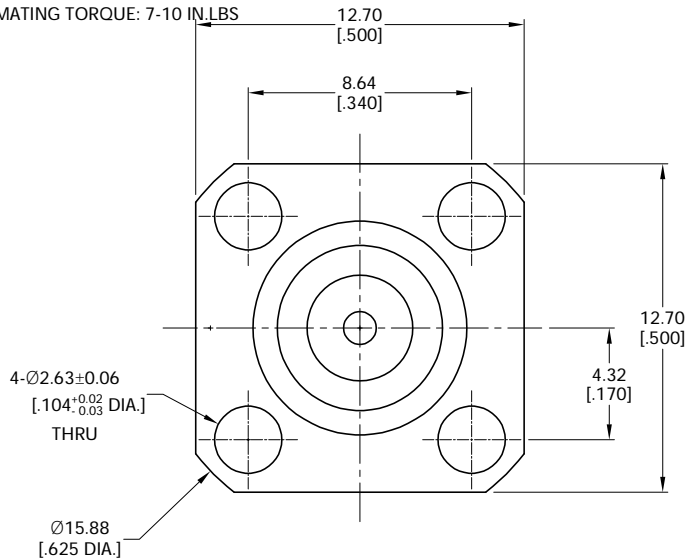
- 1 BODY: STAINLESS STEEL 303 , GOLD PER ASTM-B-488, TYPE II, CODE C, CLASS 1.27 (.000050 MIN. THK.) OVER NICKEL PER SAE-AMS-QQ-N-290 CLASS 1 (.000150 MIN. THK.)
- 2 CENTER CONTACT: BERYLLIUM COPPER ALLOY, GOLD PER ASTM-B-488, TYPE II, CODE C, CLASS 1.27 (.000050 MIN. THK.) OVER NICKEL PER SAE-AMS-QQ-N-290 CLASS 1 (.000050 MIN. THK.) OVER COPPER PER AMS-2418 (.000010 MIN. THK.)
- 3 GALSS PIN: KOVAR, GOLD PER ASTM-B-488, TYPE II, CODE C, CLASS 1.27 (.000050 MIN. THK.) OVER NICKEL PER SAE-AMS-QQ-N-290 CLASS 1 (.000150 MIN. THK.)
- 4 PRESS RING: STAINLESS STEEL 303, PASSIVATED
- 5 INSULATOR 1: PTFE
- 6 INSULATOR 2: GLASS
- 7 O-RING: ETHYLENE PROPLENE

ENVIRONMENTAL DATA:

- 1 TEMPERATURE RANGE: -65°C~+165°C
- 2 2011/65/EU(RoHS) AND 2015/863/(RoHS): COMPLIANT
- 3 1907/2006/EC(REACH): COMPLIANT
- 4 HERMETIC SEAL: LEAK RATE NOT TO EXCEED 1×10^{-8} CC/SEC OF HELIUM @ 1 ATM DIFFERENTIAL

MECHANICAL DATA:

- 1 CAPTIVATION-CENTER CONTACT
AXIAL FORCE: 4.5 LBS MIN.
RADIAL TORQUE: N/A MIN.
- 2 CONNECTOR DURABILITY: 500 CYCLES MIN.
- 3 RECOMMENDED MATING TORQUE: 7-10 IN LBS

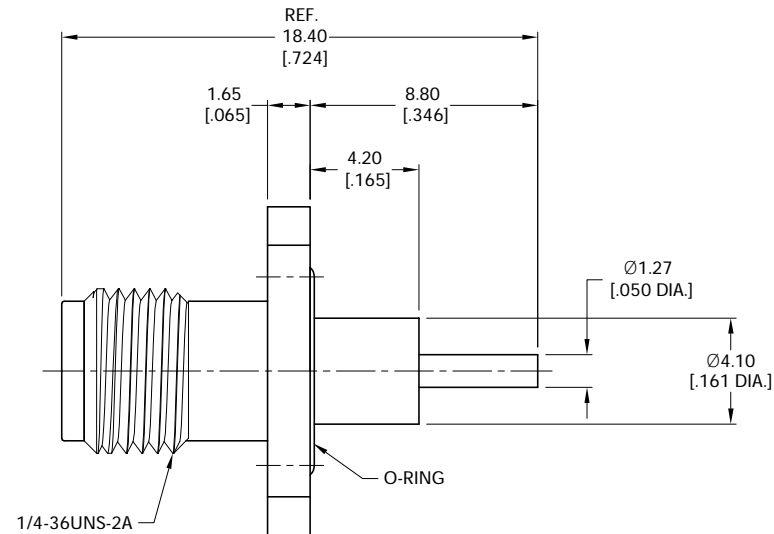


ELECTRICAL DATA:

- 1 IMPEDANCE: 50 Ω
- 2 FREQUENCY RANGE: DC - 18 GHz
- 3 VSWR: 1.10+.010 x F(GHZ)
- 4 INSERTION LOSS: 0.04√F (GHZ) dB MAX.
- 5 VOLTAGE RATING: 250 VRMS MAX.
- 6 RF LEAKAGE: -100 dB -F(GHZ)
- 7 DIELECTRIC WITHSTANDING VOLTAGE: 750V
- 8 INSULATION RENSISTANCE: 5000 MΩ
- 9 CONTACT RESISTANCE
CENTER CONTACT: 6.0 MILLIOHMS MAX.
OUTER CONTACT: 2.0 MILLIOHMS MAX.

REVISIONS

REV.	DESCRIPTION	DATE	APPROVED
A	INITIAL RELEASE	11/07/25	J. Q



DRAWN	X. Y	DATE	11/07/25
CHECKED	W. Y	DATE	11/07/25
APPROVED	J. Q	DATE	11/07/25
UNLESS OTHERWISE SPECIFIED DIMENSIONS ARE IN MILLIMETERS. DIMENSIONS IN [] ARE IN INCHES FOR CUSTOMER REFERENCE ONLY UNLESS OTHERWISE SPECIFIED TOLERANCE ARE:		THESE DRAWINGS AND SPECIFICATIONS ARE THE PROPERTY OF ANOISON ELECTRONICS LTD AND SHOULD NOT BE USED WITHOUT WRITTEN PERMISSION COPYRIGHT © 2025 ANOISON ELECTRONICS LTD	
.XX	±0.13 [0.005"]		
.X	±0.20 [0.008"]		
X	±0.50 [0.019"]		
.X°	±1°		
X°	±2°		



TITLE
SMA STRAIGHT FEMALE, HERMETICALLY SEALED, SOLDER ATTACHMENT 4 HOLE .500 SQ. FLANGE MOUNT STUB TERMINAL, .340 INCH HOLE SPACING WITH O-RING

VIEW	PART NO. ANO 2112-3780			
	SIZE A3	SCALE 5:1	SHEET 1/1	REV. A