

4 3 2 1

MATERIAL & FINISH:

- 1 BODY: STAINLESS STEEL 303, PASSIVATED
- 2 CENTER CONTACT: BERYLLIUM COPPER ALLOY, GOLD PLATED
- 3 INSULATOR: PTFE

ELECTRICAL DATA:

- 1 IMPEDANCE: 50 Ω
- 2 FREQUENCY RANGE: DC~26.5 GHz
- 3 VSWR: 1.05+.006xF (GHz) MAX.
- 4 INSERTION LOSS: 0.03√FGHZ

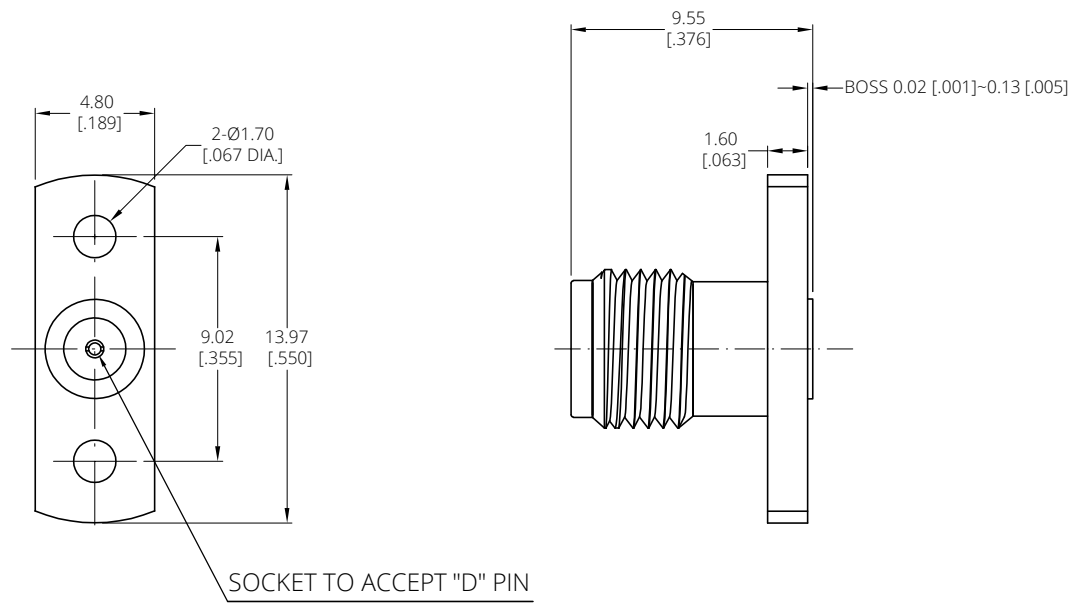
MECHANICAL DATA:

- 1 CONNECTOR DURABILITY: 500 CYCLES MIN.

REVISIONS			
REV.	DESCRIPTION	DATE	APPROVED
A	INITIAL RELEASE	04/11/25	J. Q

ENVIRONMENTAL DATA:

- 1 TEMPERATURE RANGE: -55°C~+125°C
- 2 2011/65/EU(RoHS) AND 2015/863/(RoHS): COMPLIANT
- 3 1907/2006/EC(REACH): COMPLIANT



PART NO.	D	MAX. PIN DEPTH
ANO 2112-3743-1	Ø0.23 [0.009 DIA.]	1.65 [0.065]
ANO 2112-3743-2	Ø0.30 [0.012 DIA.]	1.91 [0.075]
ANO 2112-3743-3	Ø0.38 [0.015 DIA.]	2.54 [0.100]
ANO 2112-3743-4	Ø0.46 [0.018 DIA.]	2.54 [0.100]
ANO 2112-3743-5	Ø0.51 [0.020 DIA.]	2.54 [0.100]

DRAWN	W. Y	DATE	04/11/25
CHECKED	X. Y	DATE	04/11/25
APPROVED	J. Q	DATE	04/11/25
UNLESS OTHERWISE SPECIFIED DIMENSIONS ARE IN MILLIMETERS, DIMENSIONS IN [] ARE IN INCHES FOR CUSTOMER REFERENCE ONLY UNLESS OTHERWISE SPECIFIED TOLERANCE ARE:		THESE DRAWINGS AND SPECIFICATIONS ARE THE PROPERTY OF ANOISON ELECTRONICS LTD AND SHOULD NOT BE USED WITHOUT WRITTEN PERMISSION COPYRIGHT © 2025 ANOISON ELECTRONICS LTD	
XX	±0.13 [0.005"]		
X	±0.20 [0.008"]		
X	±0.50 [0.019"]		
X*	±1°		
X*	±2°		

TITLE
SMA STRAIGHT FEMALE, 2 HOLE FLANGE
FIELD REPLACEABLE

VIEW

PART NO. ANO 2112-3743

SIZE A3	SCALE 5:1	SHEET 1/1	REV. A
-------------------	---------------------	---------------------	------------------

D
C
B
A

D
C
B
A

4 3 2 1