

**MATERIAL & FINISH:**

- 1 BODY: STAINLESS STEEL, PASSIVATED
- 2 CENTER CONTACT: BERYLLIUM COPPER, GOLD PLATED
- 3 INSULATOR: PTFE
- 4 CAPTURE BEAD: ULTEM 1000

**ENVIRONMENTAL DATA:**

- 1 TEMPERATURE RANGE: -52°C - +125°C
- 2 2011/65/EU(RoHS) AND 2015/863/(RoHS): COMPLIANT
- 3 1907/2006/EC(REACH): COMPLIANT

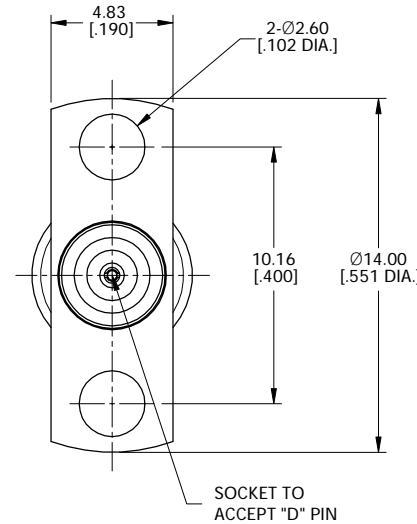
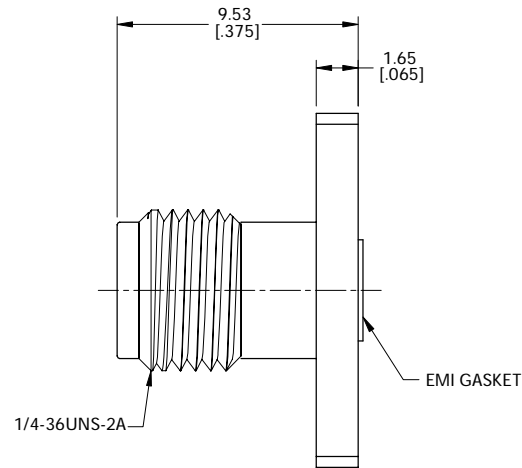
**ELECTRICAL DATA:**

- 1 IMPEDANCE: 50 Ω
- 2 FREQUENCY RANGE: DC-26.5 GHz
- 3 VSWR: 1.15 MAX. AT DC-18 GHz  
1.20 MAX. 18-26.5 GHz
- 4 WORKING VOLTAGE: 335 V RMS. (50Hz)
- 6 DIELECTRIC WITHSTANDING VOLTAGE: 1000V RMS. (50Hz)
- 7 INSULATION RESISTANCE: 5000 MΩ MIN.
- 8 CONTACT RESISTANCE: CENTER CONTACT 3.0 mΩ  
OUTER CONTACT 2.0 mΩ

**MECHANICAL DATA:**

- 1 CONNECTOR DURABILITY: 500 CYCLES MIN.
- 2 CENTER CONTACT CAPTIVATION:  
AXIAL FORCE FROM INTERFACE: 6 POUNDS MIN.

REVISIONS			
REV.	DESCRIPTION	DATE	APPROVED
A	INITIAL RELEASE	01/07/25	J. Q



PART NO.	D	MAX. PIN DEPTH
ANO 2112-3733-1	Ø0.23 [0.009 DIA.]	1.65 [0.065]
ANO 2112-3733-2	Ø0.30 [0.012 DIA.]	1.91 [0.075]
ANO 2112-3733-3	Ø0.38 [0.015 DIA.]	2.54 [0.100]
ANO 2112-3733-4	Ø0.46 [0.018 DIA.]	2.54 [0.100]
ANO 2112-3733-5	Ø0.51 [0.020 DIA.]	2.54 [0.100]

DRAWN	X. Y	DATE	01/07/25
CHECKED	W. Y	DATE	01/07/25
APPROVED	J. Q	DATE	01/07/25
UNLESS OTHERWISE SPECIFIED DIMENSIONS ARE IN MILLIMETERS, DIMENSIONS IN [ ] ARE IN INCHES FOR CUSTOMER REFERENCE ONLY UNLESS OTHERWISE SPECIFIED TOLERANCE ARE:		THESE DRAWINGS AND SPECIFICATIONS ARE THE PROPERTY OF ANOISON ELECTRONICS LTD AND SHOULD NOT BE USED WITHOUT WRITTEN PERMISSION COPYRIGHT © 2025 ANOISON ELECTRONICS LTD	
XX	±0.13 [0.005"]		
X	±0.20 [0.008"]		
X	±0.50 [0.019"]		
X°	±1°		
X"	±2°		



TITLE  
SMA STRAIGHT FEMALE, SOLDER ATTACHMENT 2 HOLE .550 LONG FLANGE MOUNT, FIELD REPLACEABLE WITH EMI GASKET

VIEW	PART NO. ANO 2112-3733		
	SIZE A3	SCALE 4:1	SHEET 1/1
	REV. A		