

4

3

2

1

**MATERIAL & FINISH:**

- 1 BODY: STAINLESS STEEL 303, PASSIVATED
- 2 CENTER CONTACT: BERYLLIUM COPPER ALLOY, GOLD PLATED
- 3 INSULATOR: PTFE & PEI
- 4 EMI GASKET: CONDUCTIVE SILICONE ELASTOMERS

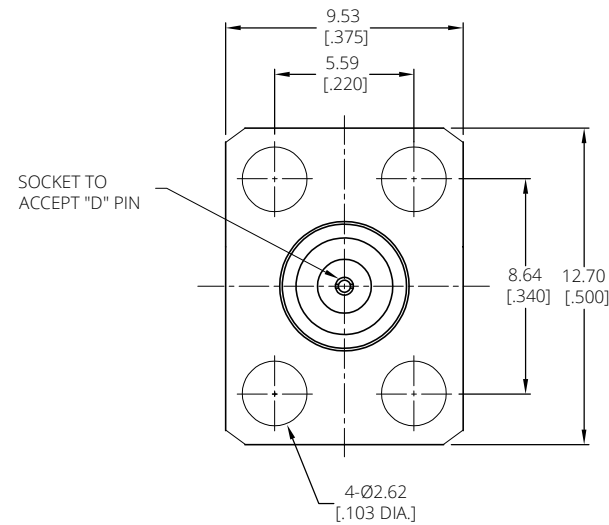
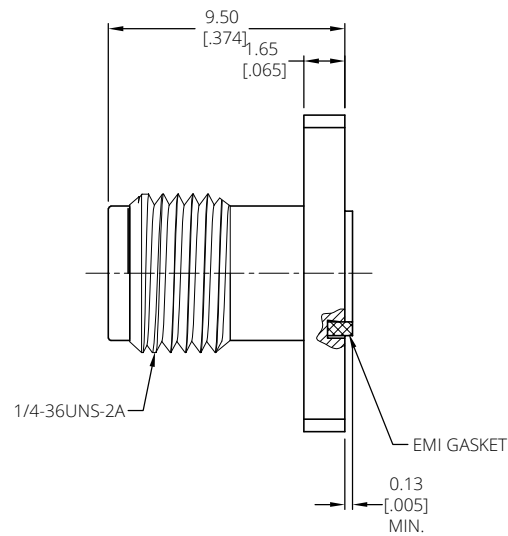
**ELECTRICAL DATA:**

- 1 IMPEDANCE: 50 Ω
- 2 FREQUENCY RANGE: DC~26.5 GHz
- 3 VSWR: 1.05 + .006x √F GHz MAX.
- 4 INSERTION LOSS: .03 x √F GHz dB MAX.

**ENVIRONMENTAL DATA:**

- 1 TEMPERATURE RANGE: -55°C~+125°C
- 2 2011/65/EU(RoHS) AND 2015/863/(RoHS): COMPLIANT
- 3 1907/2006/EC(REACH): COMPLIANT

REVISIONS			
REV.	DESCRIPTION	DATE	APPROVED
A	INITIAL RELEASE	12/12/24	J. Q



PART NO.	D	MAX. PIN DEPTH
ANO 2112-3726-1	Ø0.23 [0.009 DIA.]	1.65 [0.065]
ANO 2112-3726-2	Ø0.30 [0.012 DIA.]	1.91 [0.075]
ANO 2112-3726-3	Ø0.38 [0.015 DIA.]	2.54 [0.100]
ANO 2112-3726-4	Ø0.46 [0.018 DIA.]	2.54 [0.100]
ANO 2112-3726-5	Ø0.51 [0.020 DIA.]	2.54 [0.100]

DRAWN	W. Y	DATE	12/12/24
CHECKED	X. Y	DATE	12/12/24
APPROVED	J. Q	DATE	12/12/24
UNLESS OTHERWISE SPECIFIED DIMENSIONS ARE IN MILLIMETERS, DIMENSIONS IN [ ] ARE IN INCHES FOR CUSTOMER REFERENCE ONLY UNLESS OTHERWISE SPECIFIED TOLERANCE ARE:		THESE DRAWINGS AND SPECIFICATIONS ARE THE PROPERTY OF ANOISON ELECTRONICS LTD AND SHOULD NOT BE USED WITHOUT WRITTEN PERMISSION COPYRIGHT © 2024 ANOISON ELECTRONICS LTD	
XX	±0.13 [0.005"]		
X	±0.20 [0.008"]		
X*	±0.50 [0.019"]		
X**	±1"		
X***	±2"		



TITLE  
SMA FEMALE, 4 HOLE FLANGE MOUNT  
FIELD REPLACEABLE WITH EMI GASKET

VIEW



PART NO.  
ANO 2112-3726

SIZE	SCALE	SHEET	REV.
A3	5:1	1/1	A

4

3

2

1