

MATERIAL & FINISH:

- 1 BODY: STAINLESS STEEL, GOLD PLATED
- 2 CENTER CONTACT: BERYLLIUM COPPER ALLOY, GOLD PLATED
- 3 INSULATOR 1: PTFE
- 4 INSULATOR 2: GLASS
- 5 O-RING: SILICONE RUBBER

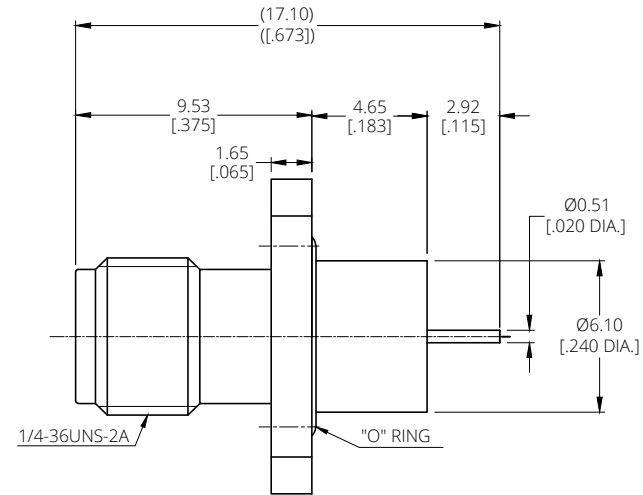
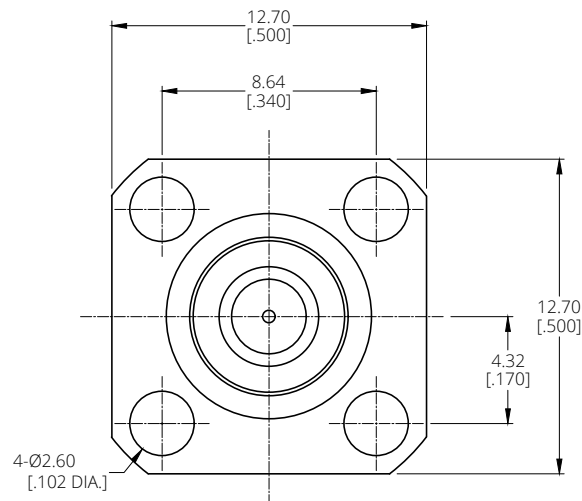
ELECTRICAL DATA:

- 1 IMPEDANCE: 50 Ω
- 2 FREQUENCY RANGE: DC~18 GHz
- 3 VSWR: 1.23 MAX.
- 4 INSERTION LOSS: 0.20 dB MAX.

ENVIRONMENTAL DATA:

- 1 TEMPERATURE RANGE: -65°C~+125°C
- 2 2011/65/EU(RoHS) AND 2015/863/(RoHS): COMPLIANT
- 3 1907/2006/EC(REACH): COMPLIANT
- 4 HERMETIC SEAL: LEAK RATE NOT TO EXCEED 1×10^{-7} CC/SEC OF HELIUM @ 1 ATM DIFFERENTIAL

REVISIONS			
REV.	DESCRIPTION	DATE	APPROVED
A	INITIAL RELEASE	10/12/24	J. Q
B	VSWR 1.23 WAS 1.30 CHANGED	10/16/24	J. Q



DRAWN	Y. H	DATE	10/16/24
CHECKED	L. Y	DATE	10/16/24
APPROVED	J. Q	DATE	10/16/24

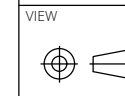
UNLESS OTHERWISE SPECIFIED DIMENSIONS ARE IN MILLIMETERS, DIMENSIONS IN [] ARE IN INCHES FOR CUSTOMER REFERENCE ONLY UNLESS OTHERWISE SPECIFIED TOLERANCE ARE:

XX	±0.13 [0.005"]
X	±0.20 [0.008"]
X	±0.50 [0.019"]
X°	±1°
X"	±2°

THESE DRAWINGS AND SPECIFICATIONS ARE THE PROPERTY OF ANOISON ELECTRONICS LTD AND SHOULD NOT BE USED WITHOUT WRITTEN PERMISSION COPYRIGHT © 2024 ANOISON ELECTRONICS LTD



TITLE
SMA STRAIGHT FEMALE, HERMETICALLY SEALED, SOLDER ATTACHMENT 4 HOLE .500 SQ. FLANGE MOUNT STUB TERMINAL, .340 INCH HOLE SPACING WITH O-RING



PART NO. ANO 2112-3714			
SIZE A3	SCALE 5:1	SHEET 1/1	REV. B