

4 3 2 1

MATERIAL & FINISH:

- 1 BODY: STAINLESS STEEL, PASSIVATED
- 2 CENTER CONTACT: BERYLLIUM COPPER ALLOY, GOLD PLATED
- 3 INSULATOR: PTFE

ELECTRICAL DATA:

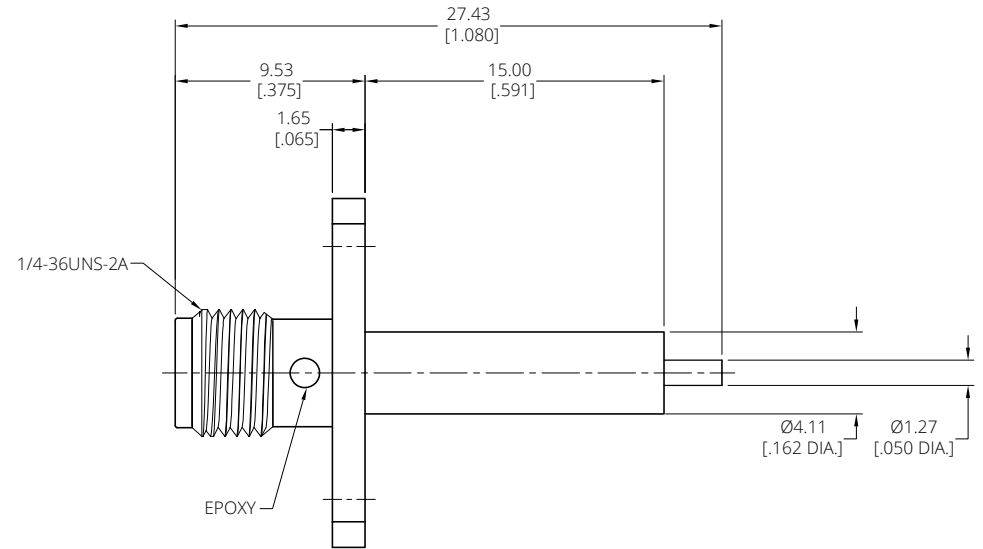
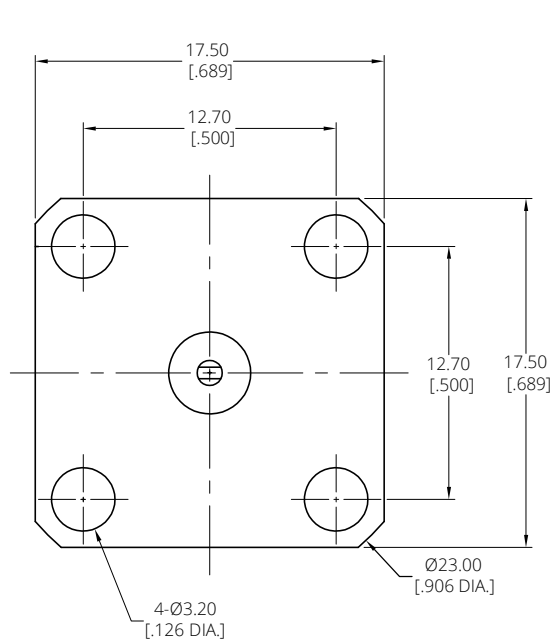
- 1 IMPEDANCE: 50 Ω
- 2 FREQUENCY RANGE: DC~18 GHz

ENVIRONMENTAL DATA:

- 1 TEMPERATURE RANGE: -55°C~+125°C
- 2 2011/65/EU(RoHS) AND 2015/863/(RoHS): COMPLIANT
- 3 1907/2006/EC(REACH): COMPLIANT

REVISIONS

REV.	DESCRIPTION	DATE	APPROVED
A	INITIAL RELEASE	01/23/24	J. Q



D
C
B
A

D
C
B
A

DRAWN	W. Y	DATE	01/23/24
CHECKED	X. Y	DATE	01/23/24
APPROVED	J. Q	DATE	01/23/24
UNLESS OTHERWISE SPECIFIED DIMENSIONS ARE IN MILLIMETERS, DIMENSIONS IN [] ARE IN INCHES FOR CUSTOMER REFERENCE ONLY UNLESS OTHERWISE SPECIFIED TOLERANCE ARE:		THESE DRAWINGS AND SPECIFICATIONS ARE THE PROPERTY OF ANOISON ELECTRONICS LTD AND SHOULD NOT BE USED WITHOUT WRITTEN PERMISSION COPYRIGHT © 2023 ANOISON ELECTRONICS LTD	
XX	±0.13 [0.005"]		
X	±0.20 [0.008"]		
X	±0.50 [0.019"]		
X°	±1°		
X"	±2°		



TITLE			
SMA STRAIGHT FEMALE 4 HOLE .689 SQ. FLANGE			
VIEW	PART NO.		
	ANO 2112-3684		
SIZE	SCALE	SHEET	REV.
A3	4:1	1/1	A

4 3 2 1