

4

3

2

1

MATERIAL & FINISH:

- 1 BODY: STAINLESS STEEL, PASSIVATED
- 2 CENTER CONTACT: BERYLLIUM COPPER, GOLD PLATED
- 3 INSULATOR: PTFE
- 4 EPOXY: EPOXY RESINS
- 5 O-RING: SILICONE RUBBER

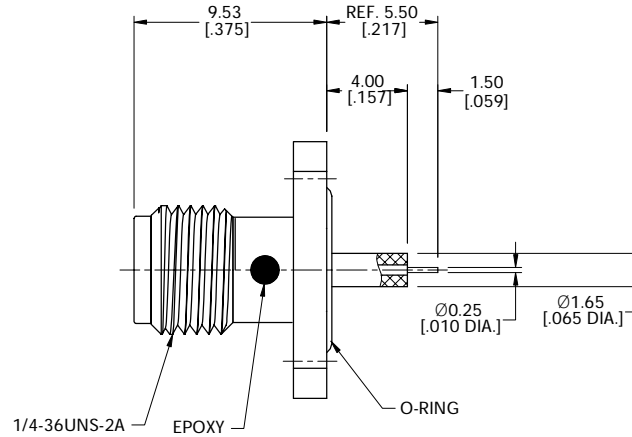
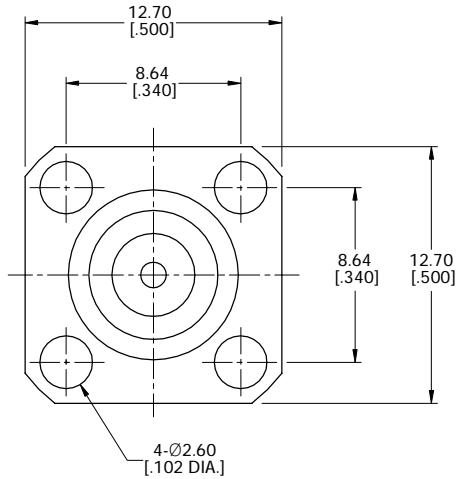
ENVIRONMENTAL DATA:

- 1 TEMPERATURE RANGE: -55°C ~ +125°C
- 2 2011/65/EU(RoHS) AND 2015/863/(RoHS): COMPLIANT
- 3 1907/2006/EC(REACH): COMPLIANT

ELECTRICAL DATA:

- 1 IMPEDANCE: 50 Ω
- 2 FREQUENCY RANGE: DC-18 GHz
- 3 VSWR: 1.05+ .005F(GHz)
- 4 INSERTION LOSS: 0.03√F(GHz) dB MAX.
- 5 DIELECTRIC WITHSTANDING VOLTAGE: 1000V
- 6 INSULATION RESISTANCE: 5000 MΩ

REVISIONS			
REV.	DESCRIPTION	DATE	APPROVED
A	INITIAL RELEASE	09/19/23	J. Q
B	4.00 [.157] WAS 3.18 [.125]	10/12/23	J. Q
C	5.50 [.217] WAS 4.45 [.175] 1.50 [.059] ADDED	07/15/24	J. Q



DRAWN	X. Y	DATE	07/15/24
CHECKED	W. Y	DATE	07/15/24
APPROVED	J. Q	DATE	07/15/24
UNLESS OTHERWISE SPECIFIED DIMENSIONS ARE IN MILLIMETERS, DIMENSIONS IN [] ARE IN INCHES FOR CUSTOMER REFERENCE ONLY UNLESS OTHERWISE SPECIFIED TOLERANCE ARE:		THESE DRAWINGS AND SPECIFICATIONS ARE THE PROPERTY OF ANOISON ELECTRONICS LTD AND SHOULD NOT BE USED WITHOUT WRITTEN PERMISSION COPYRIGHT © 2024 ANOISON ELECTRONICS LTD	
XX	±0.13 [.005"]		
X	±0.20 [.008"]		
X	±0.50 [.019"]		
X°	±1°		
X"	±2°		



TITLE			
SMA STRAIGHT FEMALE, SOLDER ATTACHMENT 4 HOLE .500 SQ. FLANGE MOUNT .340 INCH HOLE SPACING WITH O-RING			
VIEW	PART NO.		
	ANO 2112-3669		
SIZE	SCALE	SHEET	REV.
A3	5:1	1/1	C

4

3

2

1