

4

3

2

1

**MATERIAL & FINISH:**

- 1 BODY: STAINLESS STEEL, PASSIVATED
- 2 CENTER CONTACT: BERYLLIUM COPPER ALLOY, GOLD PLATED
- 3 INSULATOR: PTFE & PEI

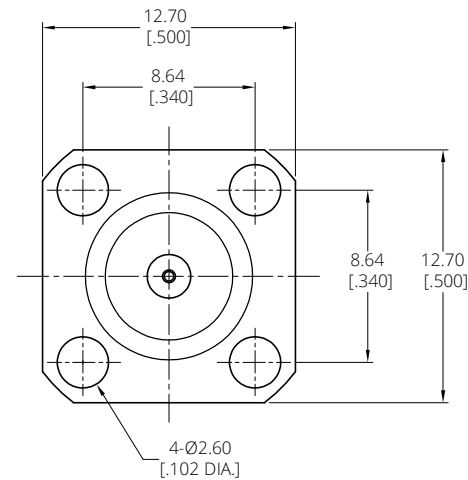
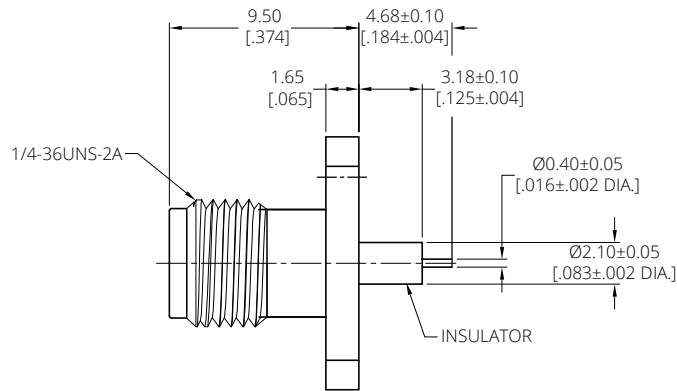
**ELECTRICAL DATA:**

- 1 IMPEDANCE: 50 Ω
- 2 FREQUENCY RANGE: DC-26.5 GHz
- 3 VSWR: 1.30 MAX.

**ENVIRONMENTAL DATA:**

- 1 TEMPERATURE RANGE: -65°C~+165°C
- 2 2011/65/EU(RoHS) AND 2015/863/(RoHS): COMPLIANT
- 3 1907/2006/EC(REACH): COMPLIANT

REVISIONS			
REV.	DESCRIPTION	DATE	APPROVED
A	INITIAL RELEASE	06/08/23	J.Q



D

C

B

A

D

C

B

A

DRAWN	W. Y	DATE	06/08/23
CHECKED	X. Y	DATE	06/08/23
APPROVED	J. Q	DATE	06/08/23
UNLESS OTHERWISE SPECIFIED DIMENSIONS ARE IN MILLIMETERS, DIMENSIONS IN [ ] ARE IN INCHES FOR CUSTOMER REFERENCE ONLY UNLESS OTHERWISE SPECIFIED TOLERANCE ARE:		THESE DRAWINGS AND SPECIFICATIONS ARE THE PROPERTY OF ANOISON ELECTRONICS LTD AND SHOULD NOT BE USED WITHOUT WRITTEN PERMISSION COPYRIGHT © 2023 ANOISON ELECTRONICS LTD	
XX	±0.13 [.005"]		
X	±0.20 [.008"]		
X	±0.50 [.019"]		
X°	±1°		
X°	±2°		



TITLE  
SMA STRAIGHT FEMALE, SOLDER ATTACHMENT 4 HOLE .500 SQ. FLANGE MOUNT STUB TERMINAL, .340 INCH HOLE SPACING

VIEW	PART NO. ANO 2112-3654		
	SIZE A3	SCALE 4:1	SHEET 1/1
		REV. A	

4

3

2

1