

MATERIAL & FINISH:

- 1 BODY: STAINLESS STEEL 303, PASSIVATED
- 2 CENTER CONTACT: BERYLLIUM COPPER ALLOY, GOLD PLATED
- 3 INSULATOR: PTFE
- 4 EMI GASKET: CONDUCTIVE SILICONE ELASTOMERS

ELECTRICAL DATA:

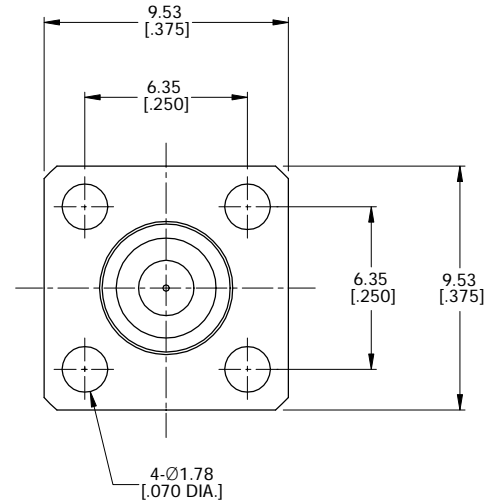
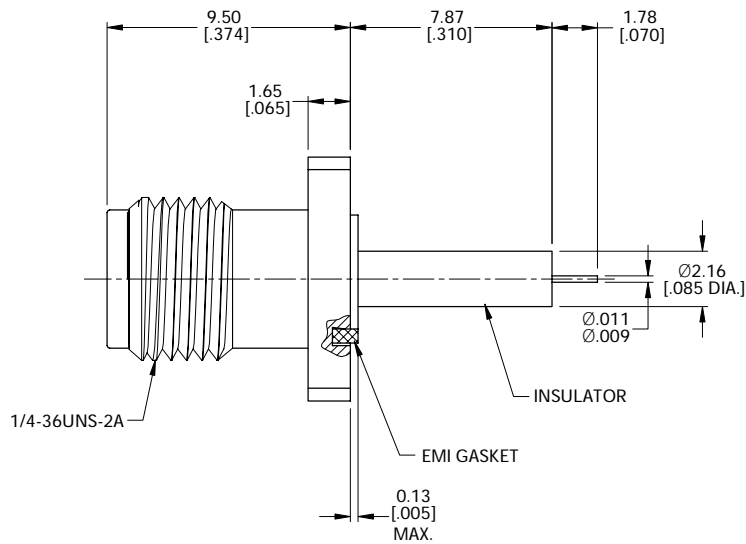
- 1 IMPEDANCE: 50 Ω
- 2 FREQUENCY RANGE: DC-18 GHz
- 3 VSWR: 1.15 MAX.
- 4 INSERTION LOSS: .05 x √F GHz dB MAX.

ENVIRONMENTAL DATA:

- 1 TEMPERATURE RANGE: -55°C~+125°C
- 2 2011/65/EU(RoHS) AND 2015/863/(RoHS): COMPLIANT
- 3 1907/2006/EC(REACH): COMPLIANT

REVISIONS

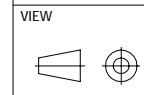
REV.	DESCRIPTION	DATE	APPROVED
A	INITIAL RELEASE	03/06/22	J. Q



DRAWN	X. Y	DATE	03/06/22
CHECKED	W. Y	DATE	03/06/22
APPROVED	J. Q	DATE	03/06/22
UNLESS OTHERWISE SPECIFIED DIMENSIONS ARE IN MILLIMETERS, DIMENSIONS IN [] ARE IN INCHES FOR CUSTOMER REFERENCE ONLY UNLESS OTHERWISE SPECIFIED TOLERANCE ARE:		THESE DRAWINGS AND SPECIFICATIONS ARE THE PROPERTY OF ANOISON ELECTRONICS LTD AND SHOULD NOT BE USED WITHOUT WRITTEN PERMISSION COPYRIGHT © 2023 ANOISON ELECTRONICS LTD	
	XX	±0.13 [.005"]	
	X	±0.20 [.008"]	
	X	±0.50 [.019"]	
	X°	±1°	
	X°	±2°	



TITLE
SMA STRAIGHT FEMALE, SOLDER ATTACHMENT
4 HOLE .375 SQ. FLANGE MOUNT
.250 INCH HOLE SPACING WITH EMI GASKET



PART NO. ANO 2112-3643			
SIZE A3	SCALE 5:1	SHEET 1/1	REV. A