

MATERIAL & FINISH:

- 1 BODY: STAINLESS STEEL, PASSIVATED
- 2 CENTER CONTACT: BERYLLIUM COPPER, GOLD PLATED
- 3 INSULATOR: PTFE
- 4 EPOXY: EPOXY RESINS
- 5 O-RING: SILICONE RUBBER

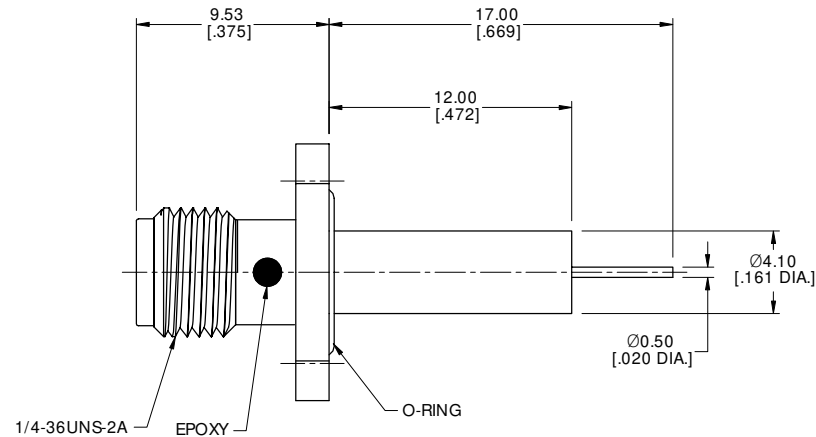
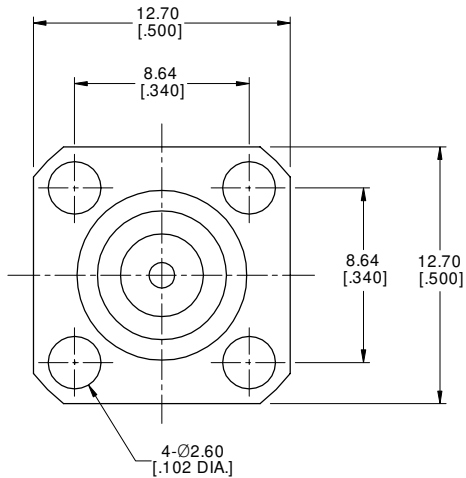
ENVIRONMENTAL DATA:

- 1 TEMPERATURE RANGE: -55°C~+125°C
- 2 2011/65/EU(RoHS) AND 2015/863/(RoHS): COMPLIANT
- 3 1907/2006/EC(REACH): COMPLIANT

ELECTRICAL DATA:

- 1 IMPEDANCE: 50 Ω
- 2 FREQUENCY RANGE: DC~18 GHz
- 3 VSWR: 1.05+.005F(GHz)
- 4 INSERTION LOSS: 0.03√F (GHZ) dB MAX.
- 5 DIELECTRIC WITHSTANDING VOLTAGE: 1000V
- 6 INSULATION RESISTANCE: 5000 MΩ

REVISIONS			
REV.	DESCRIPTION	DATE	APPROVED
A	INITIAL RELEASE	02/21/23	J Q
B	1. 19.00 [.748] WAS 8.30 [.327] 2. 14.00 [.551] WAS 7.00 [.276]	03/20/23	J Q
C	1. 17.00 [.669] WAS 19.00 [.748] 2. 12.00 [.472] WAS 14.00 [.551]	03/21/23	J Q
D	PART O-RING ADDED	02/21/23	J Q



DRAWN	X. Y	DATE	03/21/23
CHECKED	W. Y	DATE	03/21/23
APPROVED	J Q	DATE	03/21/23
UNLESS OTHERWISE SPECIFIED DIMENSIONS ARE IN MILLIMETERS, DIMENSIONS IN [] ARE IN INCHES FOR CUSTOMER REFERENCE ONLY UNLESS OTHERWISE SPECIFIED TOLERANCE ARE:		THESE DRAWINGS AND SPECIFICATIONS ARE THE PROPERTY OF ANOISON ELECTRONICS LTD AND SHOULD NOT BE USED WITHOUT WRITTEN PERMISSION COPYRIGHT © 2023 ANOISON ELECTRONICS LTD	
.XX	±0.13 [.005"]		
X	±0.20 [.008"]		
X	±0.50 [.019"]		
.X°	±1°		
.X°	±2°		



TITLE
SMA STRAIGHT FEMALE, SOLDER ATTACHMENT 4 HOLE
.500 SQ. FLANGE MOUNT
.340 INCH HOLE SPACING WITH O-RING

VIEW	PART NO. ANO 2112-3640		
SIZE A3	SCALE 5:1	SHEET 1/1	REV. D