

MATERIAL & FINISH:

- 1 BODY: STAINLESS STEEL, PASSIVATED
- 2 CENTER CONTACT: BERYLLIUM COPPER ALLOY, GOLD PLATED
- 3 INSULATOR: PTFE & PEI
- 4 O-RING: RED SILICONE RUBBER

ENVIRONMENTAL DATA:

- 1 TEMPERATURE RANGE: -65°C -- +165°C
- 2 2011/65/EU(RoHS) AND 2015/863/(RoHS): COMPLIANT
- 3 1907/2006/EC(REACH): COMPLIANT

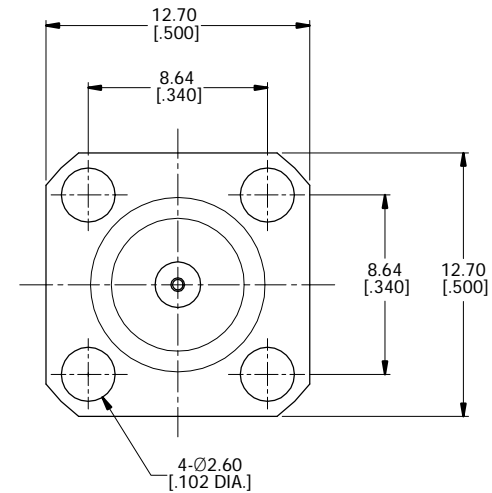
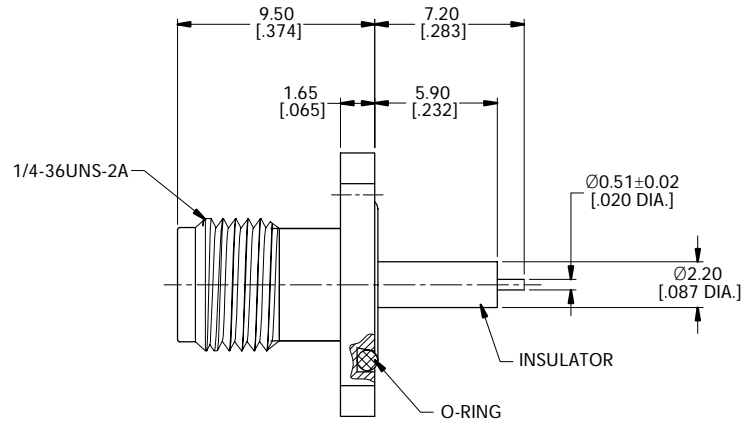
ELECTRICAL DATA:

- 1 IMPEDANCE: 50 Ω
- 2 FREQUENCY RANGE: DC-26.5 GHz
- 3 VSWR: 1.25 MAX.
- 4 INSERTION LOSS: 0.25 dB MAX.
- 5 VOLTAGE RATING: 335 VRMS MAX.
- 6 DIELECTRIC WITHSTANDING VOLTAGE: 1000 VRMS MAX.
- 7 INSULATION RESISTANCE: 5000 MΩ MIN.
- 8 INNER CONTACT RESISTANCE: 3.0 mΩ MAX.
- 9 OUTER CONTACT RESISTANCE: 3.0 mΩ MAX.

MECHANICAL DATA:

- 1 AXIAL FORCE-MATING END: 6.0 BLS.
- 2 CONNECTOR DURABILITY: 500 CYCLES
- 3 RECOMMENDED TORQUE: 7-9 IN.LBS

REVISIONS			
REV.	DESCRIPTION	DATE	APPROVED
A	INITIAL RELEASE	01/06/22	J. QU



DRAWN	XB. YANG	DATE	01/06/22
CHECKED	W. YANG	DATE	01/06/22
APPROVED	J. QU	DATE	01/06/22

UNLESS OTHERWISE SPECIFIED DIMENSIONS ARE IN MILLIMETERS, DIMENSIONS IN [] ARE IN INCHES FOR CUSTOMER REFERENCE ONLY UNLESS OTHERWISE SPECIFIED TOLERANCE ARE:

.XX	±0.13 [.005"]
.X	±0.20 [.008"]
X	±0.50 [.019"]
.X°	±1°
X°	±2°

THESE DRAWINGS AND SPECIFICATIONS ARE THE PROPERTY OF ANOISON ELECTRONICS LTD AND SHOULD NOT BE USED WITHOUT WRITTEN PERMISSION COPYRIGHT © 2022 ANOISON ELECTRONICS LTD



TITLE
SMA STRAIGHT FEMALE, SOLDER ATTACHMENT 4 HOLE .500 SQ. FLANGE MOUNT STUB TERMINAL, .340 INCH HOLE SPACING WITH O-RING

VIEW	PART NO. ANO 2112-3615		
	SIZE A3	SCALE 4:1	SHEET 1/1
			REV. A