

MATERIAL & FINISH:

- 1 BODY: STAINLESS STEEL, PASSIVATED
- 2 CENTER CONTACT: BERYLLIUM COPPER ALLOY, GOLD PLATED
- 3 INSULATOR: PTFE & PEI
- 4 EMI GASKET: CONDUCTIVE SILICONE ELASTOMERS

ELECTRICAL DATA:

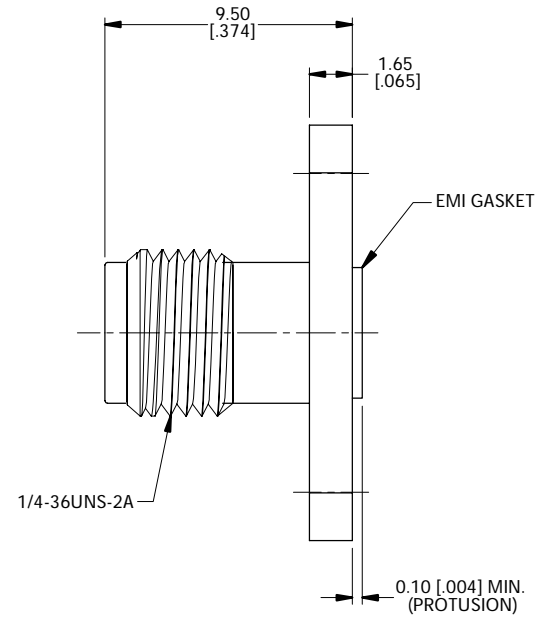
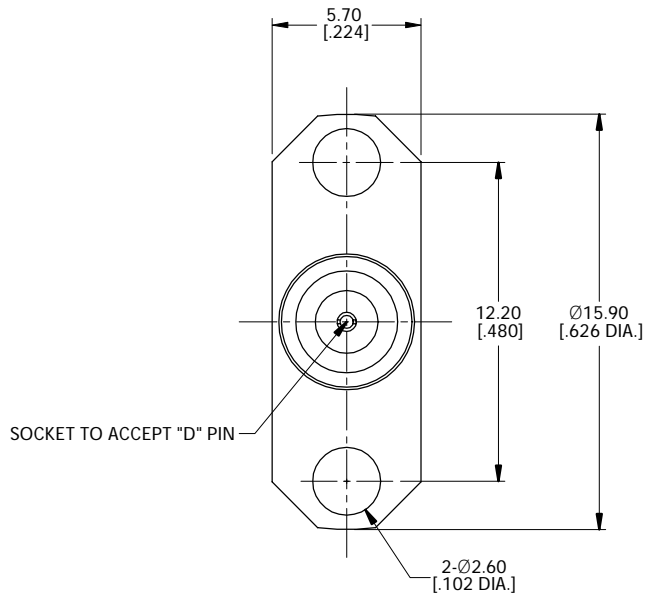
- 1 IMPEDANCE: 50 Ω
- 2 FREQUENCY RANGE: DC-26.5 GHz
- 3 VSWR: 1.15 MAX. AT DC-18 GHz
1.20 MAX. AT 18-26.5 GHz
- 4 RF LEAKAGE: < -86.5 DB

ENVIRONMENTAL DATA:

- 1 TEMPERATURE RANGE: -55°C ~ +125°C
- 2 2011/65/EU(RoHS) AND 2015/863/(RoHS): COMPLIANT
- 3 1907/2006/EC(REACH): COMPLIANT

REVISIONS

REV.	DESCRIPTION	DATE	APPROVED
A	INITIAL RELEASE	07/13/21	J. QU



PART NO.	D	PIN DEPTH MAX.
ANO 2112-3601-2	Ø0.30 [.012 DIA.]	1.91 [.075]
ANO 2112-3601-3	Ø0.38 [.015 DIA.]	2.54 [.100]
ANO 2112-3601-4	Ø0.46 [.018 DIA.]	2.54 [.100]
ANO 2112-3601-5	Ø0.51 [.020 DIA.]	2.54 [.100]

DRAWN	X. B. YANG	DATE	07/13/21
CHECKED	W. YANG	DATE	07/13/21
APPROVED	J. QU	DATE	07/13/21

UNLESS OTHERWISE SPECIFIED DIMENSIONS ARE IN MILLIMETERS. DIMENSIONS IN [] ARE IN INCHES FOR CUSTOMER REFERENCE ONLY UNLESS OTHERWISE SPECIFIED TOLERANCE ARE:

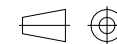
.XX	±0.13 [.005"]
.X	±0.20 [.008"]
X	±0.50 [.019"]
.X°	±1°
X°	±2°

THESE DRAWINGS AND SPECIFICATIONS ARE THE PROPERTY OF ANOISON ELECTRONICS LTD AND SHOULD NOT BE USED WITHOUT WRITTEN PERMISSION COPYRIGHT © 2021 ANOISON ELECTRONICS LTD



TITLE
SMA STRAIGHT FEMALE, 2 HOLE FLANGE MOUNT
.626 LONG, FIELD REPLACEABLE WITH EMI GASKET

VIEW



PART NO.
ANO 2112-3601

SIZE	SCALE	SHEET	REV.
A3	5:1	1/1	A