

MATERIAL & FINISH:

- 1 BODY: SEE TABLE
- 2 CENTER CONTACT: BERYLLIUM COPPER ALLOY, GOLD PLATING
- 3 INSULATOR: PTFE & PEI

ENVIRONMENTAL DATA:

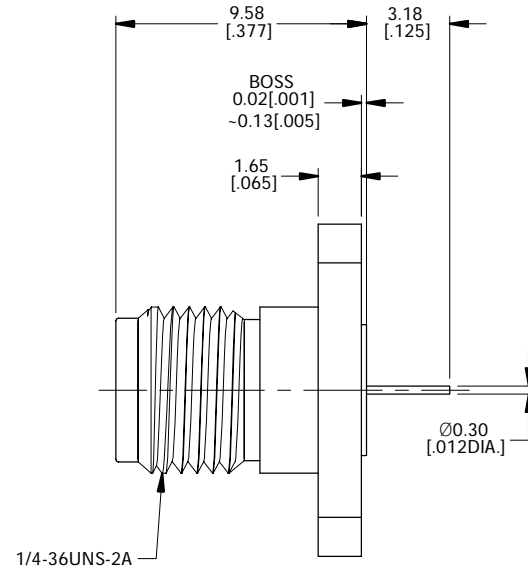
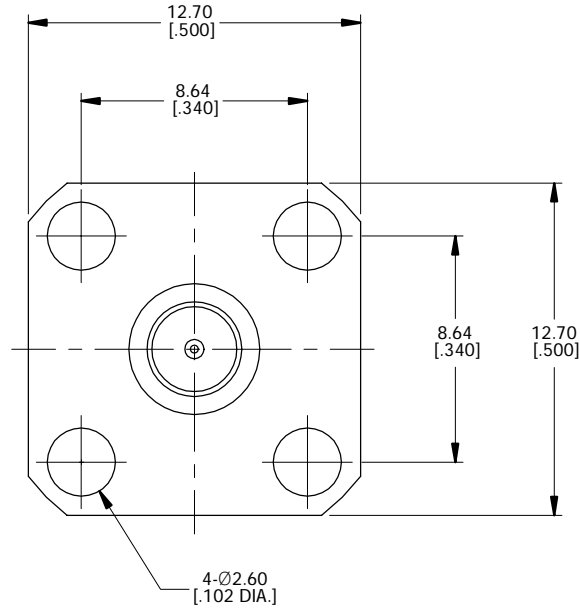
- 1 TEMPERATURE RANGE: -55°C~+125°C
- 2 2011/65/EU(RoHS) AND 2015/863/(RoHS): COMPLIANT
- 3 1907/2006/EC(REACH): COMPLIANT

ELECTRICAL DATA:

- 1 IMPEDANCE: 50 Ω
- 2 FREQUENCY RANGE: DC~27 GHz
- 3 VSWR: 1.10 MAX. AT DC~18 GHz
1.15 MAX. AT 18~27 GHz

REVISIONS

REV.	DESCRIPTION	DATE	APPROVED
A	INITIAL RELEASE	11/11/20	J. QU
B	PART NO. ANO 2112-3529-1 ADDED	04/12/21	J. QU



TABLE

PART NO.	PART	MATERIAL	FINISH
ANO 2112-3529	BODY	STAINLESS STEEL	PASSIVATED
ANO 2112-3529-1		BRASS	GOLD

DRAWN	X. B. YANG	DATE	04/12/21
CHECKED	W. YANG	DATE	04/12/21
APPROVED	J. QU	DATE	04/12/21

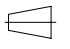
UNLESS OTHERWISE SPECIFIED DIMENSIONS ARE IN MILLIMETERS, DIMENSIONS IN [] ARE IN INCHES FOR CUSTOMER REFERENCE ONLY UNLESS OTHERWISE SPECIFIED TOLERANCE ARE:

.XX	±0.13 [005"]
.X	±0.20 [008"]
X	±0.50 [019"]
.X°	±1°
X°	±2°

THESE DRAWINGS AND SPECIFICATIONS ARE THE PROPERTY OF ANOISON ELECTRONICS LTD AND SHOULD NOT BE USED WITHOUT WRITTEN PERMISSION COPYRIGHT © 2021 ANOISON ELECTRONICS LTD



TITLE
SMA STRAIGHT FEMALE 4 HOLE
FLANGE MOUNT ACCEPT .012 PIN

VIEW	PART NO. ANO 2112-3529			
	SIZE A3	SCALE 5:1	SHEET 1/1	REV. B