

MATERIAL & FINISH:

- 1 BODY: STAINLESS STEEL, GOLD 0.10µM THK OVER NICKEL 0.10µM PLATE
- 2 CENTER CONTACT: BERYLLIUM COPPER ALLOY, GOLD 0.10µM THK OVER NICKEL 0.10µM
- 3 INSULATOR: PTFE

ENVIRONMENTAL DATA:

- 1 TEMPERATURE RANGE: -20°C~+70°C
- 2 2011/65/EU(RoHS) AND 2015/863/(RoHS): COMPLIANT
- 3 1999/45/EC(REACH): COMPLIANT

MECHANICAL DATA:

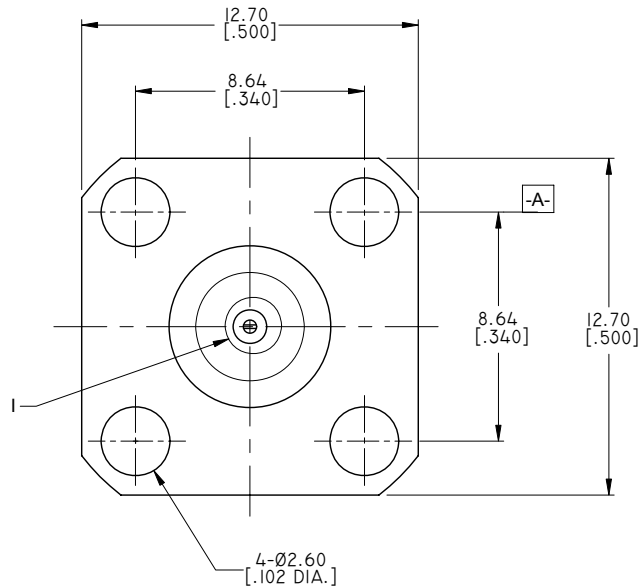
- 1 MECHANICAL DURABILITY: 500 CYCLES MIN.

ELECTRICAL DATA:

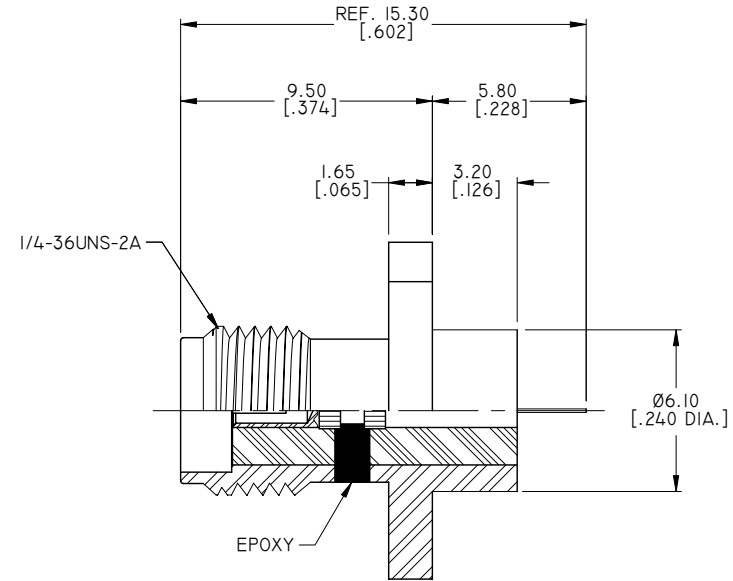
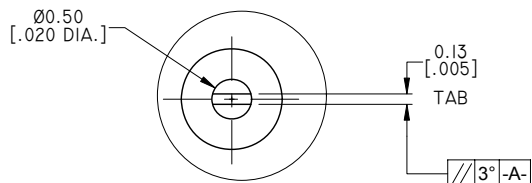
- 1 IMPEDANCE: 50 Ω
- 2 FREQUENCY RANGE: DC-18 GHZ
- 3 VSWR 1.1+0.01 X FGHZ MAX.
- 4 INSERTION LOSS: 0.1 X √FGHZ
- 5 RF LEAKAGE: -60 + FGHZ DB MIN.
- 6 INSULATION RESISTANCE: 5000 MΩ MIN.

REVISIONS

REV.	DESCRIPTION	DATE	APPROVED
A	INITIAL RELEASE	10/15/16	J. QU
B	FINISH THK. ADDED	11/01/17	J. QU
C	1. TAB $\parallel 0.05^{\circ}$ A CHANGED TO $\parallel 3^{\circ}$ -A 2. 2015/863/(RoHS): COMPLIANT ADDED 3. 1999/45/EC(REACH): COMPLIANT ADDED	01/11/18	J. QU



1
15:1



DRAWN	X. B. YANG	DATE	01/11/18
CHECKED	W. YANG	DATE	01/11/18
APPROVED	J. QU	DATE	01/11/18
UNLESS OTHERWISE SPECIFIED DIMENSIONS ARE IN MILLIMETERS. DIMENSIONS IN [] ARE IN INCHES FOR CUSTOMER REFERENCE ONLY UNLESS OTHERWISE SPECIFIED TOLERANCE ARE:		THESE DRAWINGS AND SPECIFICATIONS ARE THE PROPERTY OF ANOISON ELECTRONICS LTD AND SHOULD NOT BE USED WITHOUT WRITTEN PERMISSION COPYRIGHT © 2019 ANOISON ELECTRONICS LTD	
.XX	±0.13 [0.005"]		
.X	±0.20 [0.008"]		
X	±0.50 [0.019"]		
.X°	±1°		
X°	±2°		



TITLE
SMA STRAIGHT FEMALE, 4 HOLE FLANGE RECEPTACLE TAB CONTACT

VIEW	PART NO. ANO 2112-3407
SIZE A3	SCALE 5:1
SHEET 1/1	REV. C